

## Important notice before riding

We strongly urge you to read the Bicycle Owner's Manual in its entirety before your first ride. Read and make sure that you understand every point in this manual, especially the "Safety" section. If you have any questions, please contact your local authorized Giant retailer.

EN

This user manual contains important safety, performance, and service information. Please read the user manual before starting to use your new Giant Power Pro and keep it for future reference.

For your safety, we recommend that you to focus on your surroundings while riding. Avoid staring at the computer screen. This may compromise your traffic awareness, and possibly lead to serious accident.

## Service and technical support

Please ensure that the Giant Power Pro has been paired with the cycling computer and has proceeded Calibration/zero offset before use. Please refer the pairing and calibration section. For the multi-language manuals and more information, please visit: <https://www.giant-bicycles.com/global/manuals>

If you encounter difficulties or are uncertain about anything mentioned in this user manual, please contact your local authorized Giant retailer. To find one, or to learn more about Giant, go to [www.giant-bicycles.com](http://www.giant-bicycles.com)



## Download Giant RideLink App

The Giant RideLink App is available for Apple® iOS and Android system. Please go to the App Store® or Google Play to search Giant RideLink App and download it.



## Firmware information

Giant keeps developing and releasing the updated versions of firmware to provide the latest functions. The latest firmware for Giant Power Pro can be updated by using Giant RideLink app. For more details and information about firmware, please visit <https://www.giant-bicycles.com/global/manuals>. Update the firmware to latest version of Power Pro before using it for the first time.

## Charging instructions

Fully charge the battery of the Power Pro before using it for the first time.

Prepare the charging cable and attach the charging cable to the Giant Power Pro. The indicator light will be red light constantly while charging is in progress.

Caution:

- Voltage: 5V±10%/Current: 1~2A
- Charging time: about 2 hours for each side.
- The battery should fully recharged once every two months when the Power Pro is not being used for a longer time.
- Per year, a loss of no more than 30% of its original nominal capacity at a maximum of 400 charges.

## Giant Power Pro light indications

There is one indicator LED light on every Giant Power Pro. This indicator light can show various conditions. Indications of the LED light:

- Indicator light blinks green 10 times: Battery capacity is more than 50% when waking the Giant Power Pro.
- Indicator light blinks orange 10 times: Battery capacity is between 30~50% when waking the Giant Power Pro.
- Indicator light blinks red 10 times: Battery capacity is less than 30% when waking the Giant Power Pro.
- Indicator light is constantly red: While charging the Giant Power Pro.
- Indicator light is constantly green: When charging is finished.
- Indicator light does not show any green or red light:

The battery may be damaged or have other problems, please contact an authorized Giant retailer for assistance.

## Pairing Giant Power Pro

Before pairing, please make sure the battery of Giant Power Pro is fully charged. Fully rotate the crank arms forwards or backwards two or three times to wake up the Giant Power Pro and put the bike in horizontal position.

Please refer to the technical manuals of the cycling computer to pair it with the Giant Power Pro. The procedures may differ between various computers.

Tip: Please refer to light indication and charging instruction sections for the details.

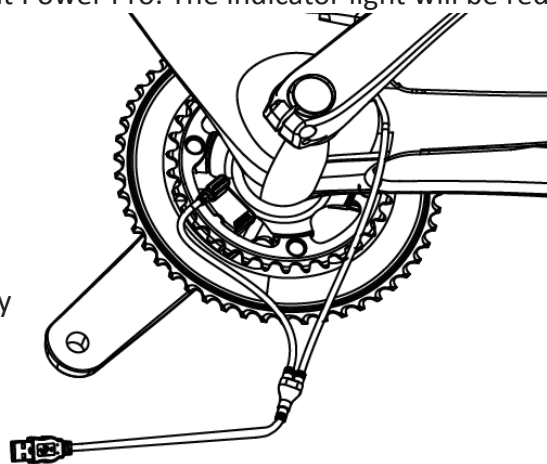
## Calibration/zero offset

Before the calibration, please make sure the procedure of pairing with Giant Power Pro and computer is finished. Keep the left crank arm in 6 o'clock position and the right crank in 12 o'clock position.

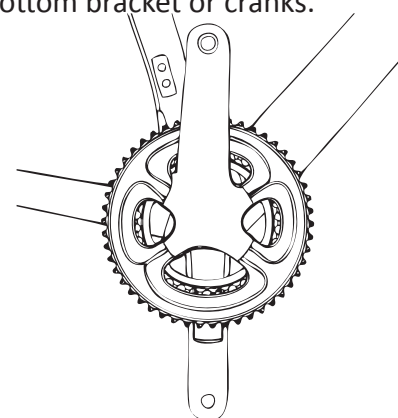
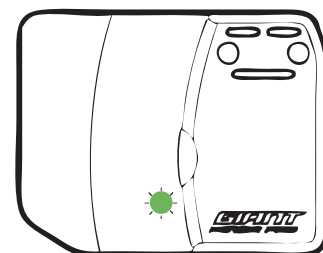
Please refer to technical manuals of the cycling computer to calibrate the Giant Power Pro with cycling computer. The procedures may differ between various computers.

CAUTION: Please operate the calibration when assembling/disassembling the bottom bracket or cranks.

CAUTION: Please operate the calibration before every ride.

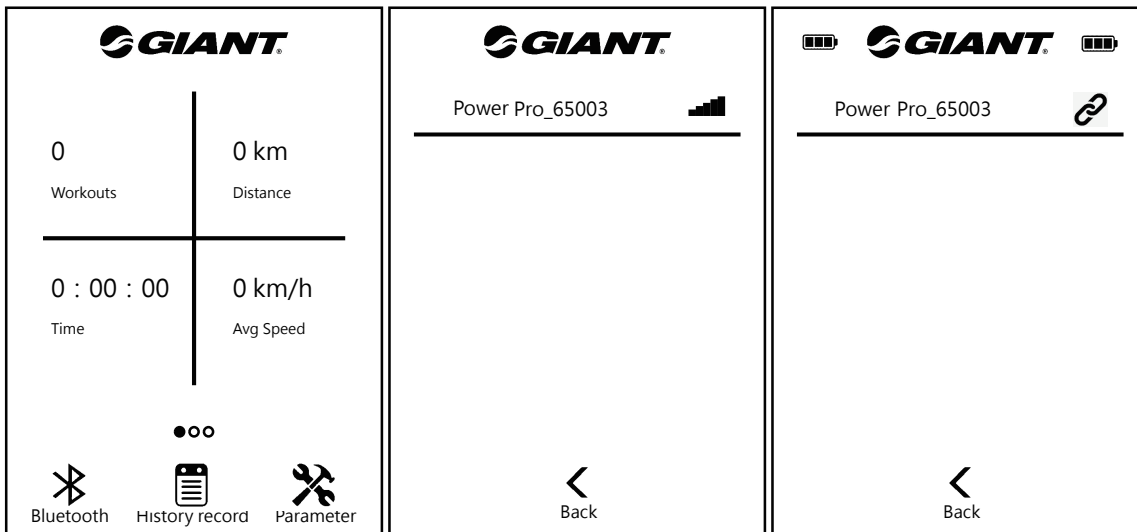


EN



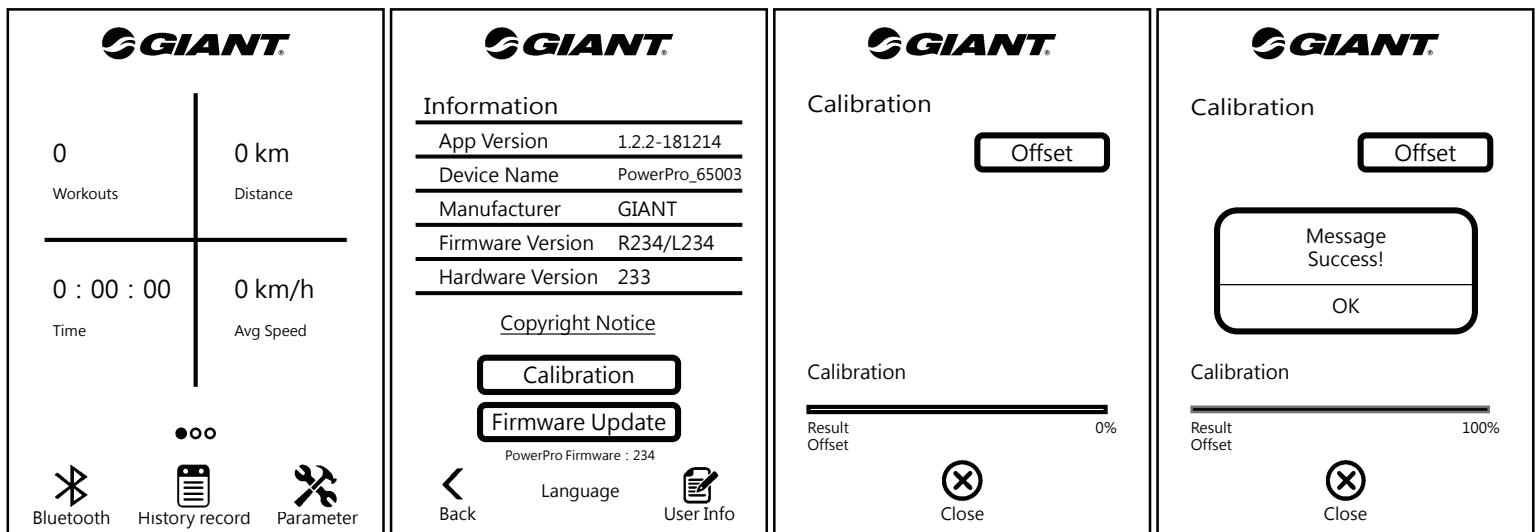
## The pairing procedures with SmartPhone App

1. Turn on the Bluetooth Smart function and RideLink App.
  2. Choose Power Meter icon and select Power Pro.
  3. Press Bluetooth icon to start scanning.
  4. Device ID appears.
  5. Choose device to pair, the connection icon appears, pairing is finished.
- \* Please check if the smartphone supports Bluetooth Smart function (BLE 4.0)



## Calibration procedures with SmartPhone App

1. Press Parameter icon to enter Parameter page
2. Press "Calibration"
3. Press "Offset"
4. Calibration completed



# Specifications

Battery	Rechargeable lithium battery Battery life: about 100 hours
Wireless transmission	2.4GHz, ANT+™ Bluetooth® Smart (BLE 4.0)
Accuracy	±2% of measured power value
Weight	Left side: about 16g/Right side: about 16g
Power measurement range	0-3000 Watts
Cadence range	20-180 RPM
Water resistance level	IPX7
Operating environment temperature range	-10°C ~ 50°C / 14°F ~ 122°F
Storage environment temperature range	-20°C ~ 80°C / -4°F ~ 176°F
Accessory	Charging cable

## Water resistance capability

The water resistance level of Giant Power Pro complies to the IPX7 standard which offers a waterproof level of one meter immersion.

Warning: Do NOT immerse the power meter in water for a longer time.

Warning: Do NOT use the high pressure washers to clean the power meter directly. The high pressure will cause the moisture to permeate the internals of the power meter and damage the electronic components.

## Maintenance and cleaning

To ensure the functionalities of Giant Power Pro and not to affect the Giant limited warranty, please make sure to comply with the WARNINGS and CAUTIONS listed below. Not complying with these recommendations may result in damage to Giant Power Pro and void your warranty.

### WARNING:

- Only to clean the covers of the Giant Power Pro. Please do NOT disassemble the Giant Power Pro this will void your warranty.
- Please only clean the cover of Giant Power Pro with a clean cloth and water. Please do NOT use corrosive detergent to clean as it may damage the cover.
- Do NOT use the high pressure washers to clean the power meter directly. The high pressure will cause the moisture to permeate the internals of the power meter and damage the electronic components.
- Please do NOT expose the power meter to constant high temperatures.
- Please avoid that the Power Pro gets hit by any abnormal external force which may cause damage to the Power Pro.
- Stop charging immediately to avoid dangerous situations if a strange smell, smoke, or any other abnormal condition occurs during charging.
- Do not charge the battery in a wet environment or during a thunderstorm. It may cause damage to the battery and possible dangerous situations such as an electric shock.
- Please make sure that no metal items or oily materials touch the charging connector and charging terminals.

**AUTION:**

- The storage environment temperature range is between -20°C ~ 80°C / -4°F ~ 176°F. Damage to the electronic components may occur if the storage temperature is out of range.
- The operating environment temperature range is between -10°C ~ 50°C / 14°F ~ 122°F. The functions may not be normal when the temperature is out of range.
- The battery should fully recharged once every two months when the Power Pro is not being used for a longer time.
- The environment temperature should be between -10°C ~ 50°C / 14°F ~ 122°F when charging the battery. The battery may get damaged when the environment temperature is out of range.
- Charging time is around 3 hours. If the charging time is over 3 hours and the battery is still not fully charged, please stop charging to avoid the risk of overheating the battery. Please contact your local authorized Giant retailer for support and advice.
- The battery may get damaged if it does not get charged at low battery level. Please charge it at any time.
- It is a normal phenomenon that the battery level will gradually reduce when it has not being used for a period of time.
- Please follow the suggested Voltage and current: 5V±10%/1~2A
- Please only use the charging cable which is supplied with the Power Pro. Do not bundle the charging cable while charging. Do not pull or damage the charging cable in any way. Using a damaged charging cable may cause danger.
- Per year, a loss of no more than 30% of its original nominal capacity at a maximum of 400 charges.

**Giant Limited Warranty**

Giant warrants its Power Pro for a period of two (2) years from the date of purchase, this applies only for the original owner. This warranty applies only to this product when purchased new from an Authorized Giant Dealer and assembled by that dealer at the time of purchase.

**LIMITED REMEDY**

Unless otherwise provided, the sole remedy under the above warranty, or any implied warranty, is limited to the replacement of defective parts with those of equal or greater value at the sole discretion of Giant. This warranty extends from the date of purchase, applies only to the original owner, and is not transferable. In no event shall Giant be responsible for any direct, incidental or consequential damages, including, without limitation, damages for personal injury, property damage, or economic losses, whether based on contract, warranty, negligence, product liability, or any other theory.

**EXCLUSIONS**

The above warranty, or any implied warranty, does not cover:

- Normal wear and tear on parts in situations where there are no assembly or material defects.
- Consumable components including bolts and charging cable.
- Products serviced by other than an Authorized Giant dealer.
- Modifications of the product from its original condition.
- Use of this product for abnormal, competition and/or commercial activities or for purposes other than those for which this product was designed.
- Damage caused by failing to follow the User's Manual.
- Paint, finish and decal damage resulting from taking part in competitions, jumping, downhill and/or training for such activities or events or as a result of exposing the product to, or operating the product in, severe conditions or climates.
- Labor charges for part replacement or changeover.

Except as is provided by this warranty and subject to all additional warranties, Giant and its employees and agents shall not be liable for any loss or damage whatsoever (including incidental and consequential loss or damage caused by negligence or default) arising from or concerning any Giant product.

Giant makes no other warranties, express or implied. All implied warranties, including the warranties of merchantability and fitness for a particular purpose are limited in duration to that of the express warranties stated above.

Any claim against this warranty must be made through an Authorized Giant Dealer or distributor. The purchase receipt or other proof of the date of purchase is required before a warranty claim may be processed.

Claims made outside the country of purchase may be subject to fees and additional restrictions. Warranty duration and details may differ by country. This warranty gives you specific legal rights, and you may also have other rights which may vary from place to place. **THIS WARRANTY DOES NOT AFFECT YOUR STATUTORY RIGHTS.**