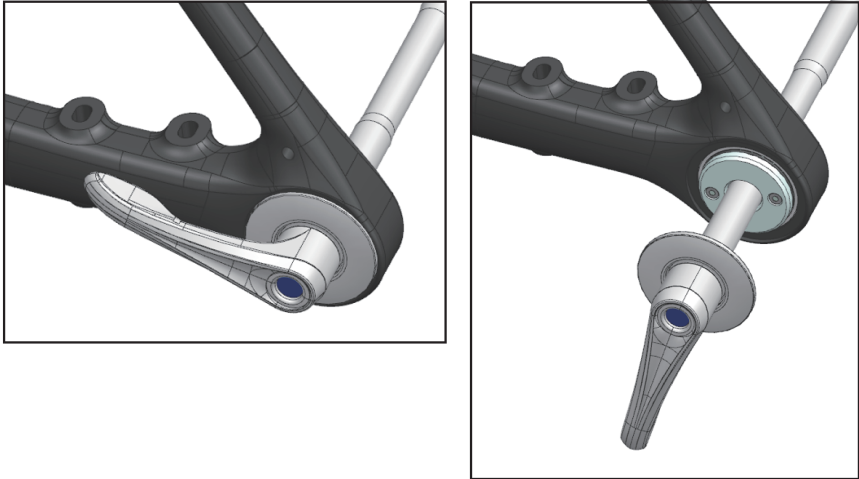


**Defy Advanced E+ Elite
Avail Advanced E+ Elite**

Owner's Manual Addenda

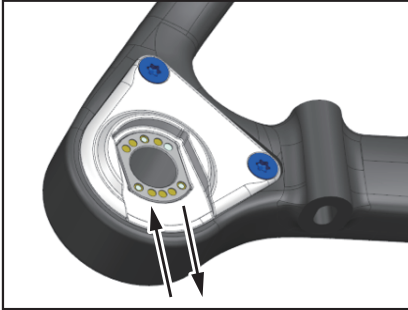
The maximum permissible weight is
130kg / 286lbs
(bicycle, rider, and luggage)

Rear Wheel Removal

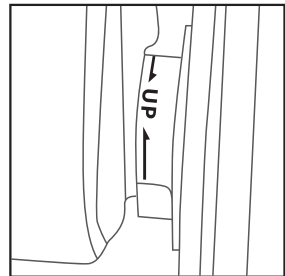


- Turn the axle lever counter-clockwise to unthread.
- Pull the thru axle outward while holding the wheel.
- Ensure the magnetic plate attached to the lever pulls the connector outward to detach the thru axle from the bracket.

Rear Wheel Installation



- The non-drive side connector body must be inside the frame cavity.
- Make sure to keep the hub mounting path free of obstruction.
- Note the “UP” mark on the hub end cap that must be aligned when installing.



Smart Calibration



- For providing the best pedaling sensation in response to your own riding style, the smart sensors built in the Defy/Avail Advanced E+ Elite will automatically calibrate every time at the first moment when the e-system is turned on, which can be identified through the LED startup indicator on the RideControl GO. Please **DO NOT** leave your foot on the pedals at this moment until the LED blinking sequence is finished. Typically, the calibration will be ready within 3 seconds.
- If you turn on the bike with the foot on the pedals by accident and feel an abnormal assist pattern accordingly, by simply getting off the bike and restarting again the system will automatically calibrate to the optimized configuration. After the LED blinks is done, you're ready to go.

SRAM AXS Blip / Di2 Bonus Buttons



AXS Blips and Di2 buttons can be configured to adjust this bike's assist level while riding. The default configuration is as follows:

- Left button: assist level down
- Right button: assist level up
- Both buttons simultaneously: switch to Auto assist lever

Button functionality can be customized, please follow instructions in the manual accessible via the QR code link shown above.



A Note to our Dealers

As with all e-bikes, we recommend doing a firmware update as a standard step in your new bike build process. Firmware is routinely being updated and enhanced, so new bikes will benefit from updates that have been released while they were in transit between our factories and your shop.

For the Defy/Avail E+ specifically, please make sure to update this bike via the RideControl smartphone app (v3.25 or newer) or the Service Platform PC software (v1.26.3 or newer). The firmware for these models has been updated with important motor tuning enhancements to improve the rider experience.



GIANT: <https://www.giant-bicycles.com/global/manuals>



LIV: <https://www.liv-cycling.com/global/manuals>