

| ENGLISH |

GIANT DISC RACK WITH PUMP MOUNT

USER MANUAL
SKU 710611

GIANT

CAUTION

- We advise that this item is fitted by a Giant Authorized Retailer or an experienced cycle mechanic
- Max Capacity: 25kg

PARTS SUPPLIED



GIANT DISC RACK WITH PUMP MOUNT **x1**

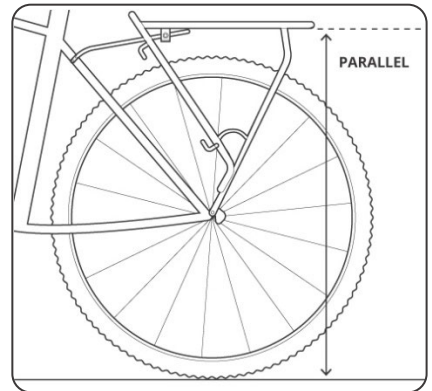
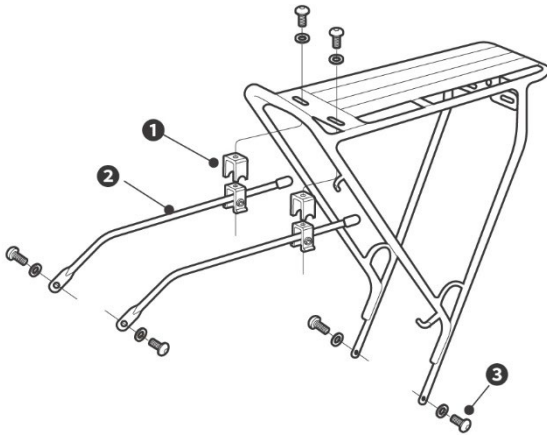


INSTALLATION

NOTE

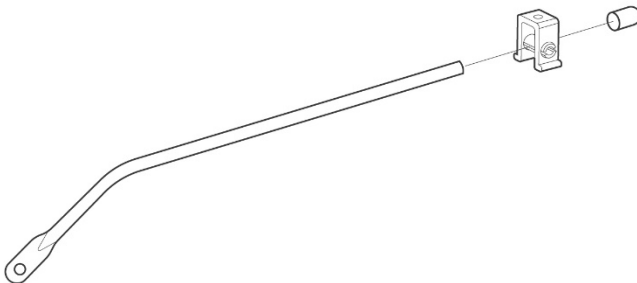
Tools required: 5mm

- ❶ Bracket compressor
- ❷ Long mounting strut with bracket
- ❸ Hex Bolt: M5 (Recommended Torque 6-8Nm)



NOTE

If short struts are needed for installation, just simply pop the rubber end off from the long strut and slide the brackets off for swapping to short strut.

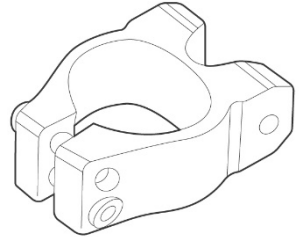


OPTIONAL PARTS

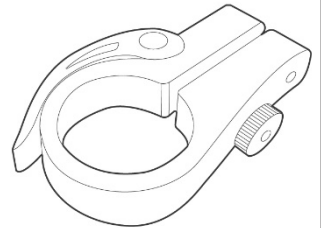
NOTE

For bicycles that do not have seat stay eyelets, can be fitted with a seat post rack mount adapter listed below.

D-Fuse Clamp Rack Mount (150000053)

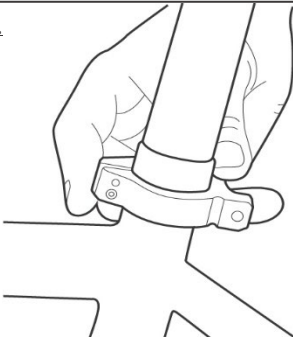


QR Clamp with Rack Mounting 31.8mm (710603)
QR Clamp with Rack Mounting 34.9mm: (710605)



INSTALLATION WITH CLAMP

1.



2.

