

! WARNING/CAUTION

- This light emits an extremely powerful beam equivalent to automobile headlight so it may cause a hazardous situation depending on the beam angle used.
- Be sure to direct the light beam downward so the driver approaching does not get dazzled.
- Do not use high mode on public roads.
- Before your trip, please make sure the light is firmly mounted to the bracket, it lights up, and the light is not blocked by baggage, etc.
- Do not stare at the light when it is illuminating. Otherwise it may damage your eyesight.
- Do not place it within children's reach.
- In preparation for unexpected battery shutdown, we recommend you carry a spare light.
- This product is water-resistant under normal daily use and can be used in the rain. However, do not intentionally submerge it in water.
- If the light unit or parts become dirty with mud, etc., clean with a soft cloth which is moistened with mild soap. Never apply paint thinner, benzine or alcohol; damage will result.
- This unit is shipped with a small charge to check the light. Be sure to charge it before use, according to the instructions "HOW TO CHARGE".
- The light source contained in this luminaire shall only be replaced by the manufacturer or his service agent or a similar qualified person.
- This appliance contains batteries that are only replaceable by skilled persons.
- The luminaire should be positioned so that prolonged staring into the luminaire at a distance closer than 2.5 m is not expected.
- Do not stare at the operating light source.
- When the product is abandoned or not in use, do not throw it away in the garbage can, it should be put in the waste battery treatment point.



Recon HL100



Recon TL100

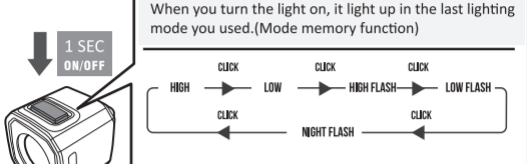


0 offset Rubber strap mount for HL



15 offset Rubber strap mount for TL

SWITCHING THE LIGHTING MODE



LUMENS/RUNTIME

RECON HL 100

ANSI	HIGH	LOW	HIGH FLASH	LOW FLASH	NIGHT FLASH
	100 LUMENS	50 LUMENS	100 LUMENS	5 LUMENS	20 LUMENS
	02:30 h:min	04:30 h:min	08:00 h:min	14:00 h:min	06:00 h:min

RECON TL 100

ANSI	HIGH	LOW	HIGH FLASH	LOW FLASH	NIGHT FLASH
	35 LUMENS	5 LUMENS	100 LUMENS	10 LUMENS	35 LUMENS
	03:00 h:min	13:00 h:min	07:00 h:min	18:00 h:min	06:00 h:min

(Not including low battery flash)

BATTERY INDICATOR

GREEN STEADY: 100%-40%

RED STEADY: 40%-10%

RED FLASH: 10% <
(10-20mins low battery flash)



HOW TO CHARGING

Always charge the product before use.

Standard charging time

Approx. 2 hrs (0.5A)



GREEN FLASHES

Charging

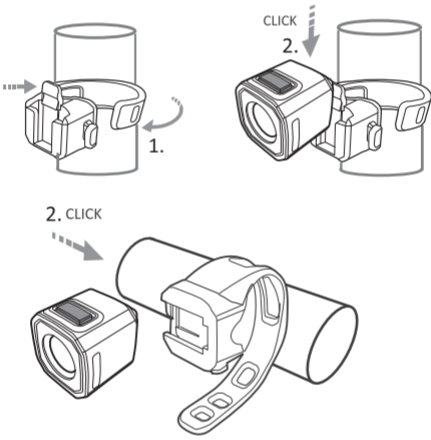


GREEN ILLUMINATES

Fully Charging

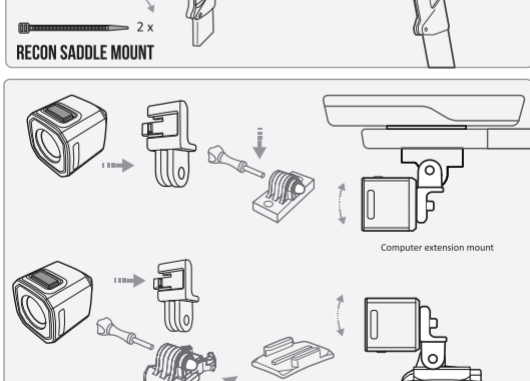
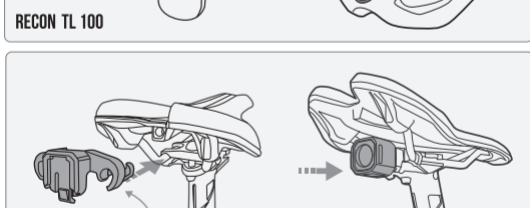


HOW TO INSTALL



HOW TO MOUNT TO A HELMET / COMPUTER EXTANTION MOUNT

The mounting buckle and/or thumb screw, depending on the mount you are using.



SPARE/OPTIONAL PARTS



RUBBER STRAP HL MOUNT
SKU:400000180

RUBBER STRAP TL MOUNT
SKU:400000181

GOPRO MOUNT
SKU:400000177

SADDLE RAIL MOUNT
SKU:400000178

HELMET MOUNT
SKU:400000179

STATEMENTS OF REGULATORY COMPLIANCE

FCC Compliance
FCC ID: CA19030262-E-000
This device conforms to FCC Rules and Regulations under Part 15 Subpart B requirement. This product herewith complies with the requirements of FCC Rules and Regulations as list below:
FCC Part 15 Subpart B Class B, Measurement Procedure:ANSI C63.4:2016

European Union Compliance
RECON HL/TL100 do not comply with German STVZO regulations! RECON HL/TL100 ,are in compliance with the following European Directives:

- EMC Directive 2014/30/EU
- Low Voltage Directive 2014/35/EU

Korean Compliance
RECON HL100/TL100 P/N 400000168/169 인증자 상호 GIANT MFG. CO., LTD.
기기의 명칭: RECON HL100/TL100 모델명: 400000168/169
제조사/제조국가 GIANT MFG. CO., LTD. / 대만 인증자 식별부호: R-R-001-HL100 R-R-001-TL100