

| ENGLISH |

GIANT DROPPER SEATPOST

MANUAL

GIANT

CONTENTS

1	INTRODUCTION	2
2	PARTS LIST	3
3	SPECIFICATIONS	4
4	INSTALLATION	5
5	OPERATION	7
6	ADJUSTING TRAVEL	7
7	GIANT LIMITED WARRANTY	8

1. INTRODUCTION

Congratulations on the purchase of your new Giant Dropper Seatpost. This product is designed to help you ride more efficiently. When used and maintained properly, this product will provide years of use.

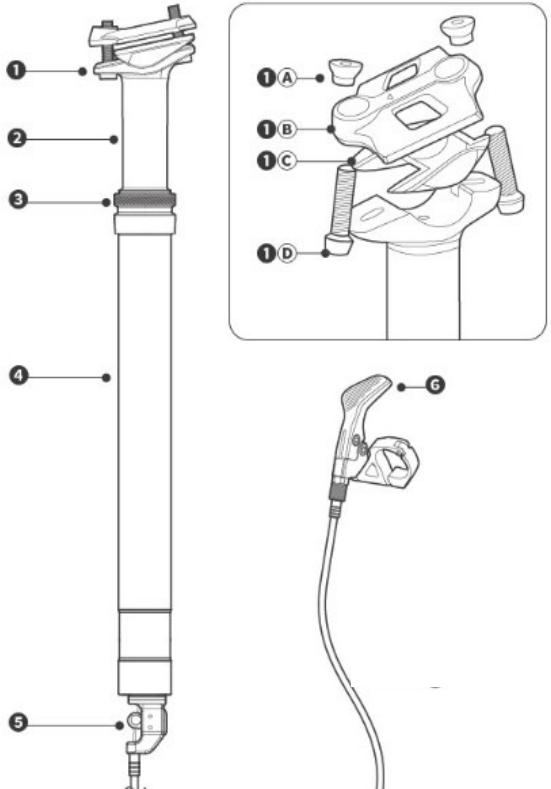
PRECAUTION

Please read the instructions thoroughly before installing and using this seatpost. Failure to follow the instructions may result in serious injury or death.

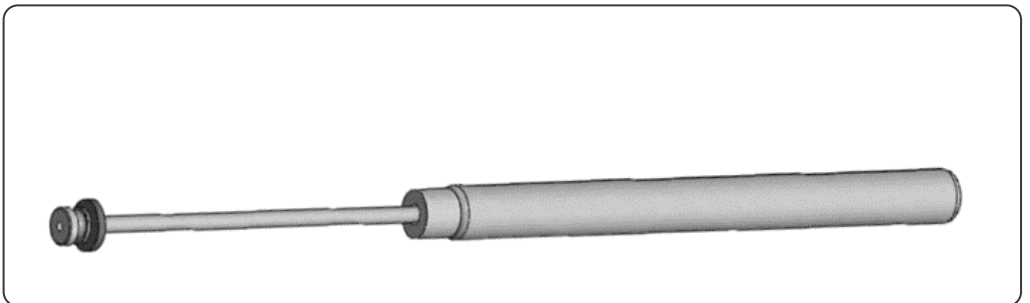
1. Adjusting saddle height while moving can cause the loss of control.
2. Never ride with a Contact Switch seatpost that is modified. Any modifications will void the warranty.
3. Loose, over tightened, damaged, or worn parts may cause unexpected malfunction. Periodically check the seatpost for wear or damage. If there are any indications of wear, cracks, or dents shown on the seatpost or any of its parts, stop using the seatpost immediately and find an authorized GIANT dealer for inspection, repair or replacement.
4. Please check that all bolts on the Contact Switch seatpost have been properly fastened within the recommended torque settings before you ride.
5. Over tightening the seatpost clamp will affect the height-adjustment functionality of the seatpost, please find the recommended clamping torque etched on the seatpost clamp or in the bicycle user manual.

2. PARTS LIST

- ❶ Saddle Clamp Body
- ❷ Stanchion
- ❸ Dust Wiper Bearing Retainer
- ❹ Seatpost Lower Chassis
- ❺ Lower Cap
- ❻ Remote Control Lever
- ❶❸ Saddle Clamp Nut (M6)
- ❶❷ Saddle Clamp - Upper (7 / 9 mm rail only)
- ❶❹ Saddle Clamp - Lower (7 / 9 mm rail only)
- ❶❺ Saddle Clamp Bolt (M6 Hex),
Max Torque: 8.0 Nm |
70 lbs-in | 80 kgf-cm



GIANT DROPPER POST CARTRIDGE



3. SPECIFICATIONS

GIANT DROPPER SEATPOST 125 TRAVEL

1	Travel	125mm
2	Total Length	409mm
3	Max Extension	285mm
4	Min Insertion	90mm
5	Actuator Length	34mm
6	Diameter	30.9mm

GIANT DROPPER SEATPOST 150 TRAVEL

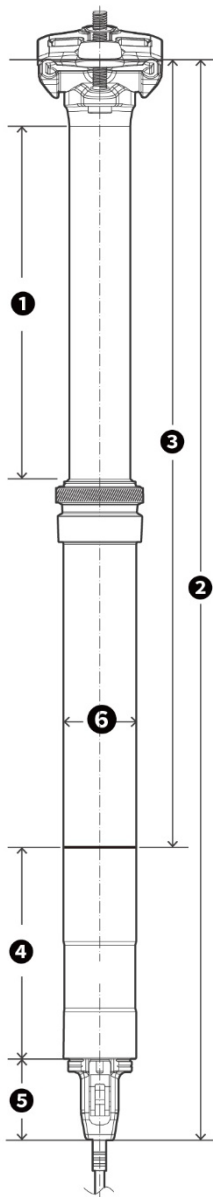
1	Travel	150mm
2	Total Length	459mm
3	Max Extension	335mm
4	Min Insertion	90mm
5	Actuator Length	34mm
6	Diameter	30.9mm

GIANT DROPPER SEATPOST 170 TRAVEL

1	Travel	170mm
2	Total Length	499mm
3	Max Extension	345mm
4	Min Insertion	120mm
5	Actuator Length	34mm
6	Diameter	30.9mm

GIANT DROPPER SEATPOST 200 TRAVEL

1	Travel	200mm
2	Total Length	559mm
3	Max Extension	375mm
4	Min Insertion	150mm
5	Actuator Length	34mm
6	Diameter	30.9mm



4. INSTALLATION



1. Remove the existing seatpost and saddle from the bike before installation.
2. Attach the remote control cable to the lower compressing lever (A) (B).
3. Insert the seatpost into seat tube with a minimum of 90mm insertion, and then tighten the seatpost clamp according to the frame manufacturer's recommendations.
4. Route the remote housing and cable according to the cable routing instruction of the frame manufacturer.

CAUTION

It might be necessary to remove the crank and bottom bracket parts before routing the cable inside the frame. Please contact an authorized Giant service center for assistance.

5. Install barrel and remote control lever (C)

5.1 Mount the lever to the handlebar and fasten with 3mm hex key. Recommended Torque: 2Nm | 17.7 lbs-in | 2 kgf-cm

5.2 Thread the cable through the barrel adjuster until and insert cable housing securely.

5.3 Pull the cable taut and ensure the seatpost, cable housing, barrel adjuster, and remote lever are attached correctly.

5.4 Adjust the cable so the cable housing, barrel adjuster and remote lever are securely connected. Fasten the bolt using a 3mm hex key. Recommended torque: 1.2Nm | 10 lbs-in | 12kgf-cm

5.5 Cut any excess cable.

5.6 Fix the lever clamp to handlebar (D).

CAUTION

Add a cable end to the remote cable to prevent the cable from having a sharp end or to keep it from fraying.

6. Install the saddle on seatpost

6.1 Loosen the clamp bolt of saddle clamp assembly, put the saddle rail on the lower saddle clamp, adjust saddle position, and then fasten the clamp bolt.

6.2 Sit on the saddle and adjust seatpost height to ensure proper functionality before riding.

WARNING

Do not ride if the seatpost height-adjusting functionality does not function smoothly. Please contact an authorized Giant service center for more information.

5. OPERATION

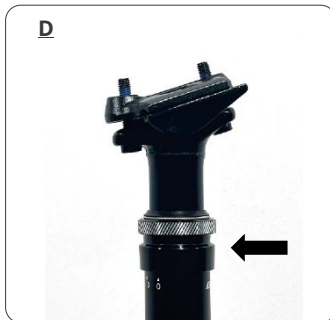
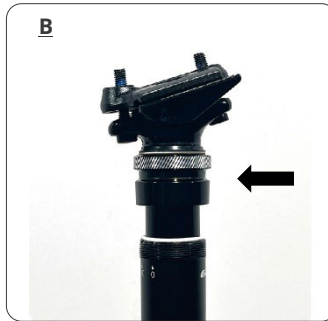
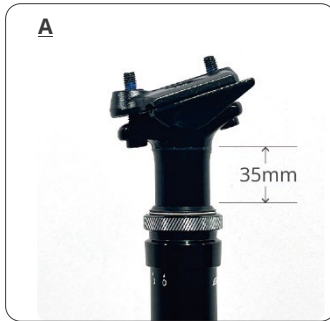
WARNING

Adjusting the seatpost height while moving can result in loss of control.

- To lower the seat height: Press the remote lever and push down or sit on the saddle to reach the desired saddle height. Release the lever.
- To raise the seat height: Remove the weight from the saddle and press the remote lever until the height is achieved. Release the lever.

6. ADJUSTING TRAVEL

1. Lower the stanchion to 35mm (A)
2. Loosen the mid cap (B)
3. Pull out the bushing and position it to the desired travel (C)
4. Tighten the mid cap (D)
5. Raise the stanchion to the desired height (E)



7. GIANT LIMITED WARRANTY

Giant guarantees the Giant Dropper Seatpost for a period of two (2) years from the date of purchase for the original owner only.

REQUIRED ASSEMBLY WHEN PURCHASED

This warranty applies only to this product when purchased new from an Authorized Giant or Liv Dealer and assembled by that dealer at the time of purchase.

LIMITED REMEDY

Unless otherwise provided, the sole remedy under the above warranty, or any implied warranty, is limited to the replacement of defective parts with those of equal or greater value at the sole discretion of Giant. This warranty extends from the date of purchase, applies only to the original owner, and is not transferable. In no event shall Giant be responsible for any direct, incidental or consequential damages, including, without limitation, damages for personal injury, property damage, or economic losses, whether based on contract, warranty, negligence, product liability, or any other theory.

EXCLUSIONS

The above warranty, or any implied warranty, does not cover:

- Normal wear and tear on parts in situations where there are no assembly or material defects.
- Products serviced by other than an authorized Giant dealer.
- Modifications of the product from its original condition.
- Use of this product for abnormal, competition and/or commercial activities or for purposes other than those for which this product was designed.
- Damage caused by failing to follow the instructions in this manual..
- Paint, finish and decal damage resulting from taking part in competitions, jumping, downhill and/or training for such activities or events or as a result of exposing the product to, or operating the product in, severe conditions or climates.
- Labor charges for part replacement or changeover.

Except as is provided by this warranty and subject to all additional warranties, Giant and its employees and agents shall not be liable for any loss or damage whatsoever (including incidental and consequential loss or damage caused by negligence or default) arising from or concerning any Giant product.

Giant makes no other warranties, express or implied. All implied warranties, including the warranties of merchantability and fitness for a particular purpose are limited in duration to that of the express warranties stated above.

Any claim against this warranty must be made through an Authorized Giant Dealer or distributor. The purchase receipt or other proof of the date of purchase is required before a warranty claim may be processed. Claims made outside the country of purchase may be subject to fees and additional restrictions. Warranty duration and details may differ by country. This warranty gives you specific legal rights, and you may also have other rights which may vary from place to place. THIS WARRANTY DOES NOT AFFECT YOUR STATUTORY RIGHTS.

SERVICE CENTERS

To find a Giant retailer near you, please visit: www.giant-bicycles.com