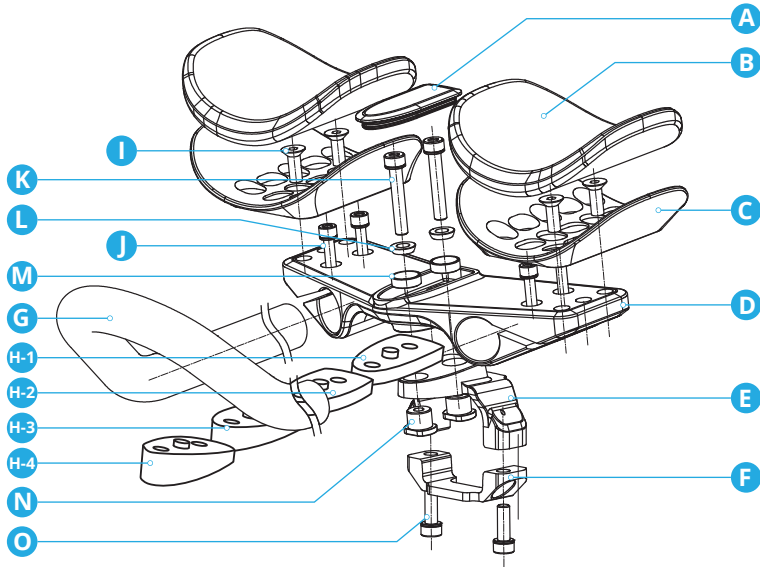
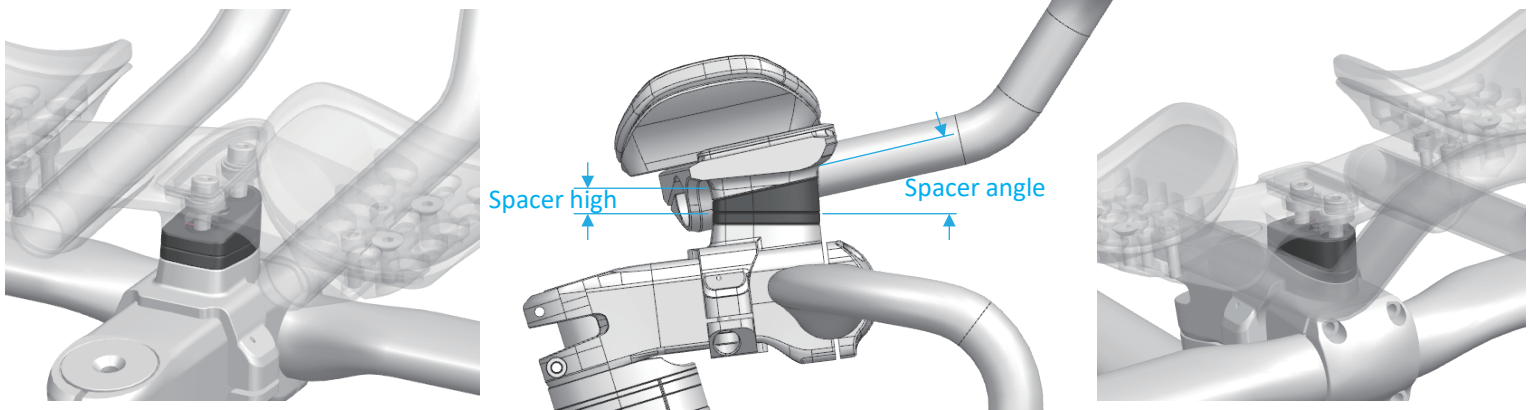


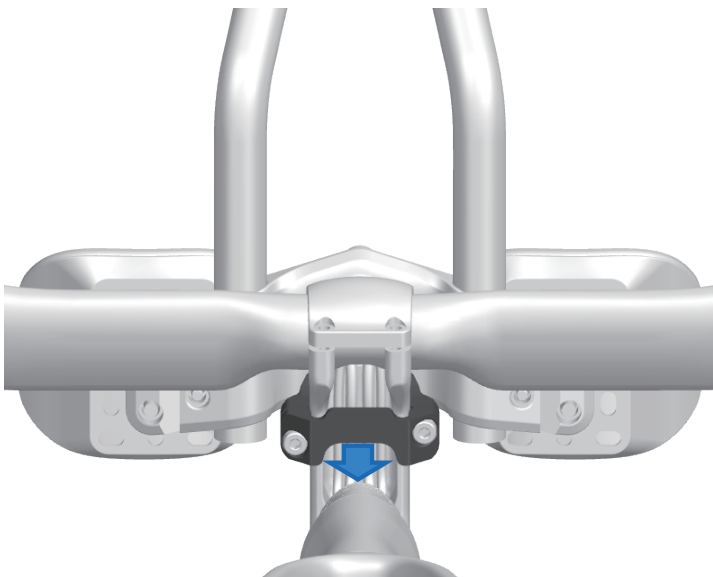
TRI COCKPIT CLIP-ON CLAMP MANUAL



ITEM	PARTS	QTY	REMARK
A	Top cover	1	
B	Armrest pad	2	
C	Armrest	2	
D	Bridge	1	
E	Upper stem clamp	1	
F	Lower stem clamp	1	
G	Aerobar extensions	1	
H-1	Spacer 0°	1	
H-2	Spacer 2.5°	1	
H-3	Spacer 7.5°	1	
H-4	Spacer 12.5°	1	
I	M6x12	4	4.7Nm
J	M5x16	4	5Nm
K	M6x20, M6x25, M6x30, M6x35	8	8Nm
L	Bowl -shaped washer	2	
M	Bowl-shaped washer seat	2	
N	M6 T-type nut	2	
O	M6x18	2	8Nm

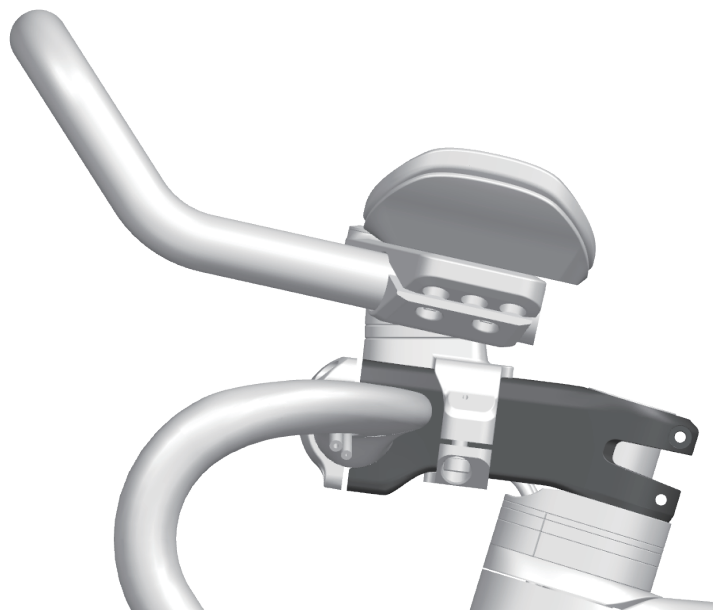


	0mm-0°	5mm-0°	5mm-2.5°	5mm-7.5°	5mm-12.5°	10mm-2.5°	10mm-7.5°	10mm-12.5°
SPACER ANGLE	-	0°	2.5°	7.5°	12.5°	2.5°	7.5°	12.5°
SPACER HIGH	0	5mm	5mm	10mm	10mm	10mm	10mm	10mm
SCREW LENGTH	20mm	25mm	25mm	30mm	30mm	30mm	35mm	35mm
STEM#	-	H-1	H-2	H-3	H-4	H-1 + H-2	H-1 + H-3	H-1 + H-4



Notice:

- The clamp assembly direction notch faces inward. Don't pinch the cable.



Notice:

- Must use AL Stem (CONTACT SLAERO STEM). Prohibited for use with Carbon Stem.