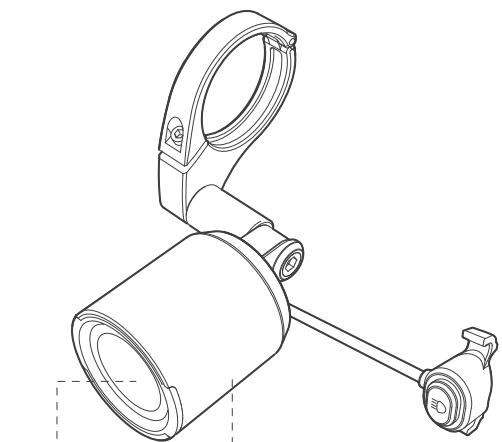


[English]

momentum

# RECON E HL 150 STVZO



150 LUX

ALUMINUM CASE

HIGH BEAM: 1000 LUMEN, LOW BEAM: 500 LUMEN, DRL: 100 LUMEN

LINK TO ALL VIDEO TUTORIALS:

[www.giant-bicycles.com/global/recon-e-lights](http://www.giant-bicycles.com/global/recon-e-lights)



## ⚠ WARNING

- Do not look directly into the light beam or shine it directly into the eyes of other people.
- Do not touch the light case or LED when the light is on as they can become very hot.
- Keep light out of reach of children.
- RECON E HL LED lights have a water resistance rating of IPX6 under regular daily use and are not designed to be submerged in water. Submerging RECON E HL LED lights under water will damage the light and void the warranty.
- Do not attempt to disassemble or repair the light; doing so will void the warranty.
- Be sure to direct the light beam downward to avoid blinding oncoming pedestrians or drivers.
- Before your ride, please make sure the light is firmly mounted to the bracket, that it functions correctly and is not blocked by baggage, etc.
- If the light, light case or accessories become dirty with mud or dust, clean them with a soft cloth moistened with mild soap. Never use alcohol, benzene or solvents, doing so will result in damage and void the warranty.
- Giant Bicycles Inc. does not accept any liability for injuries or other damages resulting from the improper use or improper installation of this product under any circumstance.

## INTRO

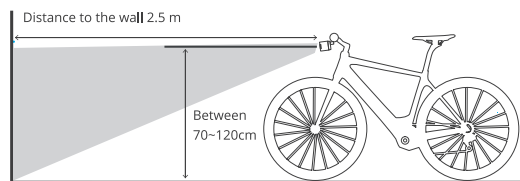
- To ensure proper use and care of your new RECON E HL LED lights, PLEASE READ ENTIRE MANUAL BEFORE INSTALLATION AND OPERATION.
- Traffic laws mandating bicycle lights vary from country to country. Please make sure you are following the appropriate bicycle light laws and regulations in your country of use.
- RECON E HL LED lights can be controlled via the on board electronics of your E-bike system and are only to be mounted on E-bikes with DC voltage that have their own battery charge indication and control. The E-bike system must also be capable of automatically shutting the light off when the on board battery reaches critical voltage to avoid deep battery discharge.
- RECON E HL LED lights are powered by the motor of your E-bike and need to be manually installed. Depending on make and model/battery type, correct installation may require some disassembly of the bike and motor and additional wiring to connect the light to the motor. Please follow the appropriate Giant How-To video for correct installation on your model / battery type or contact the e-bike or motor manufacturer for installation instructions.

## ⚠ NOTE

Incorrect disassembly, installation or assembly may void the warranty of your e-bike and / or light. It is highly recommended that a trained E-bike technician install your lights.

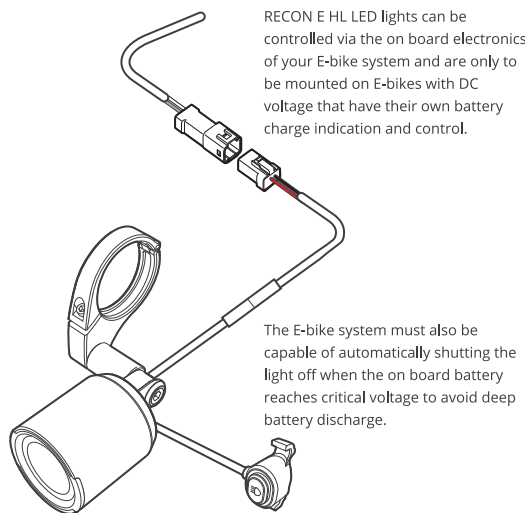
## ALIGNING THE RECON E HL BEAM

1. Place the bike 2.5 m away from a wall and face your bike to the wall.
2. Turn on the RECON E HL and put it in high-beam mode
3. Mark the cut-off line of the beam on the wall, where the beam ends above and is brighter below
4. Measure and mark 7 cm below the cut off line above
5. Adjust the RECON E HL so that the height of the beam matches the new, lower cut off line



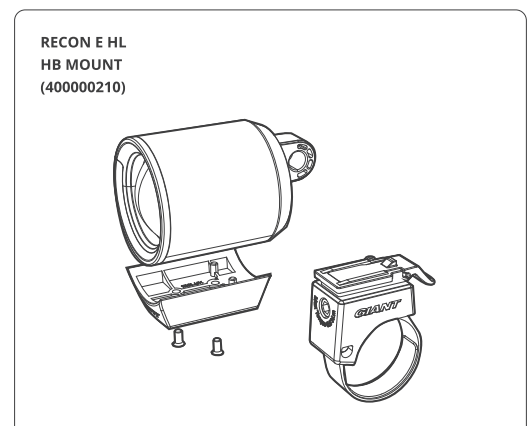
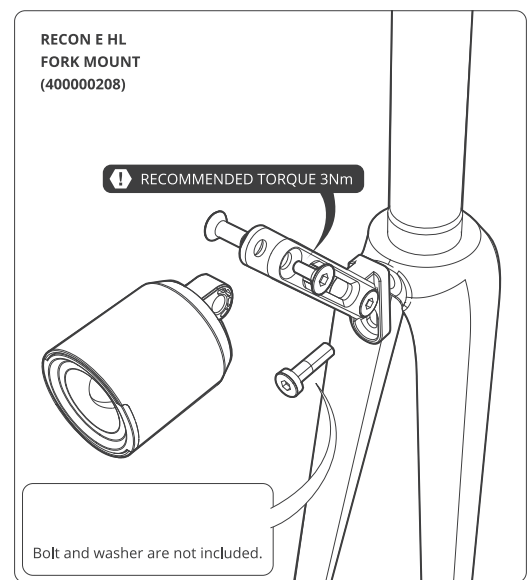
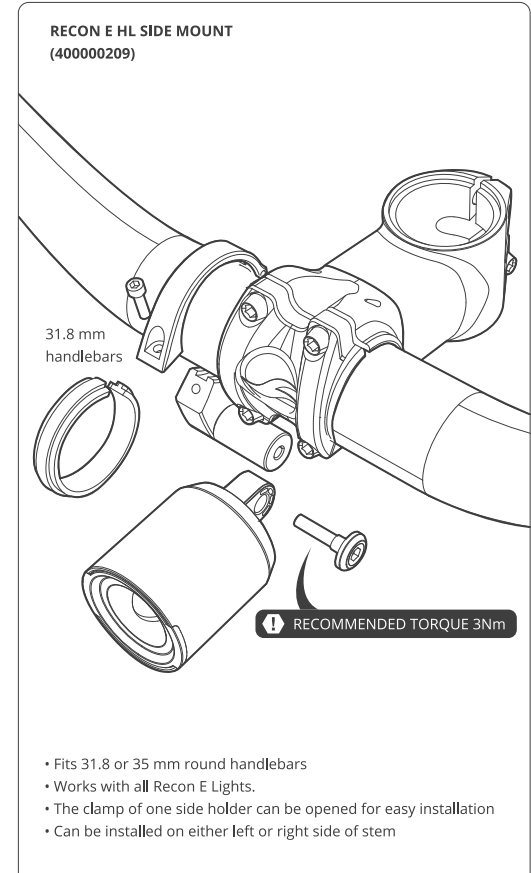
## ⚠ NOTE

Make sure to follow the steps above to achieve a glare-free beam that is compliant with German road law.



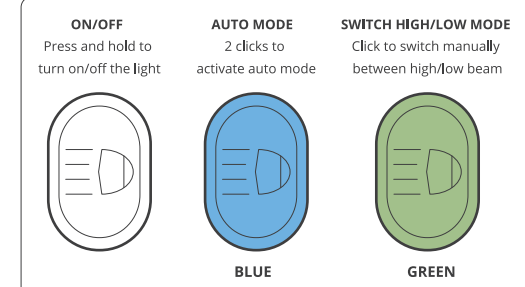
## INSTALLATION

Before your ride, please make sure the light is firmly mounted to the bracket at a height of 70 cm to 120 cm, that it functions correctly and is not blocked by baggage, etc.



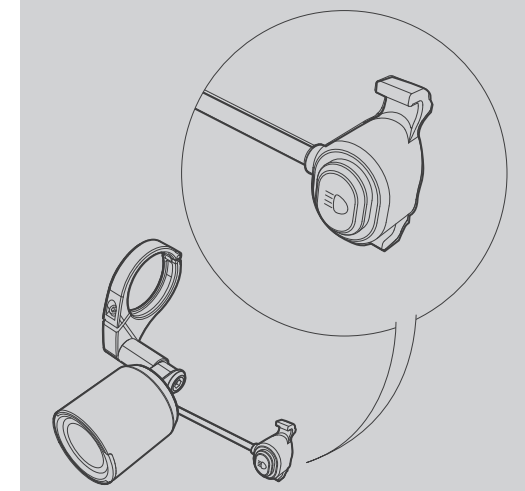
## OPERATION

The Remote Switch toggles between Auto Mode and Manual Mode (high beam / low beam).



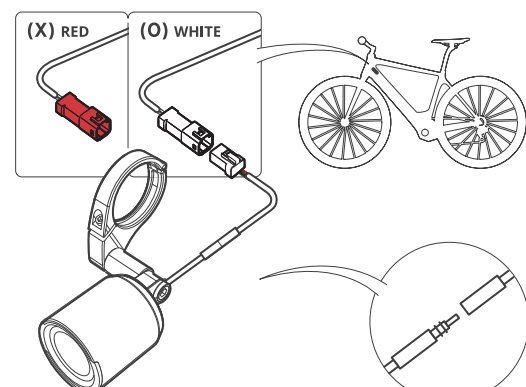
## ⚠ NOTE

Only RECON E HL 1000 and RECON E HL 150 STVZO work with remote controls for switching lighting modes.

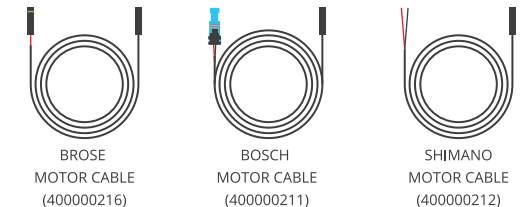


## CONNECTION

Link To Video Tutorials:  
[www.giant-bicycles.com/global/recon-e-lights](http://www.giant-bicycles.com/global/recon-e-lights)



## OPTIONAL CABLES FOR NON-YAMAHA MOTORS:



## ⚠ NOTE

Giant / Yamaha motor cable included. Cables for non-Yamaha motors are not included and must be purchased separately. Contact your authorized Giant retailer for more information.

## TECHNICAL DATA

High Beam	150LUX
Wattage	9 W
Input Voltage	6-48V DC
Illuminant	1 LED ,26 LED chips
Power Cable Length	60 cm

## MOTOR COMPATIBILITY

- Bosch (6V) / Bosch (12V)
- Shimano E5000, E7000, E6100, E6110, E9000
- Shimano E6000, E6001, E6010, E6050
- Shimano E8000, E8080, E6002, E6012
- Yamaha PWse / Yamaha PW
- Brose Drive S (2018)

## WARRANTY

- In U.S.A. and U.K., RECON E HL LED Lights carry a two (2) year warranty to the original owner from the original purchase date (proof of purchase required).
- RECON E HL warranties cover all manufacturing defects in materials or workmanship.
- For all warranty issues worldwide, please contact an authorized Giant retailer and present proof of purchase.
- If an LED is not working correctly or not working at all, do not use your light anymore. The light will need to be replaced immediately.
- Normal wear and tear or damage arising from improper installation, attempting to access or modify electronics, accidents, misuse, abuse and/or neglect are not covered by the warranty.