

Multi seatpost type ISC instructions

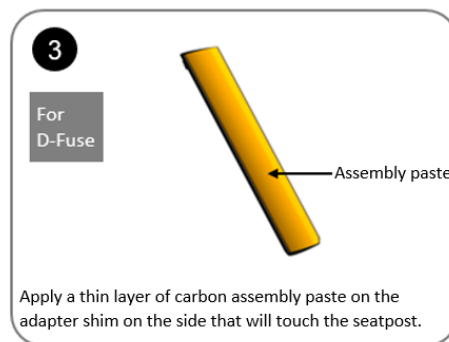
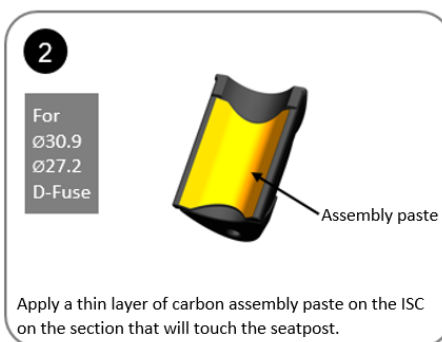
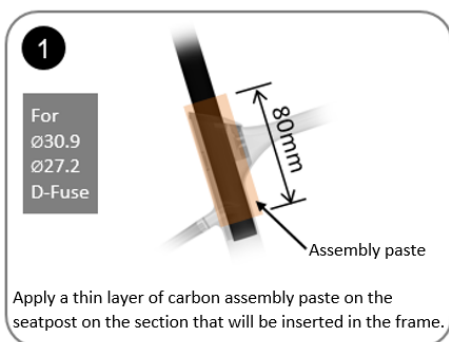
The unique Integrated Seat Clamp (ISC) system allows riders to choose a D-fuse and regular round or a dropper seatpost with 27,2 or 30,9 diameter.

Required tools:

- 4mm hex wrench
- Carbon assembly paste (anti slip)

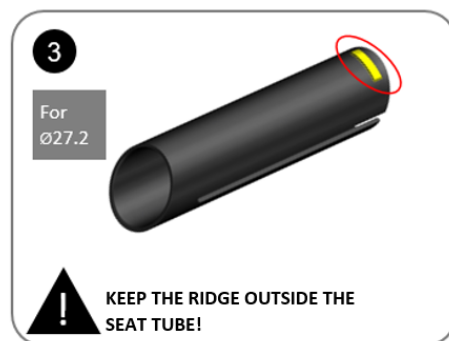
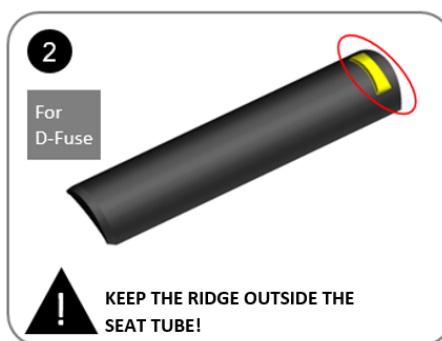
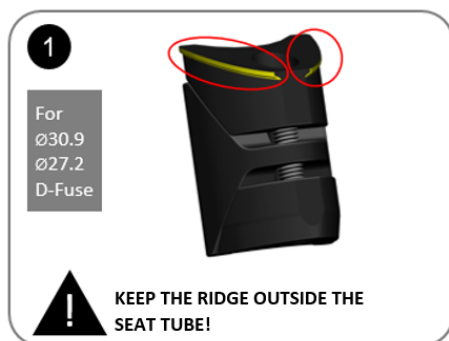
Carbon assembly paste application:

Follow the carbon assembly paste application instructions to assure proper fixation of the individual seatpost types.

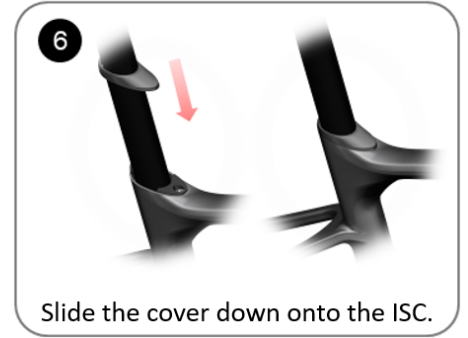
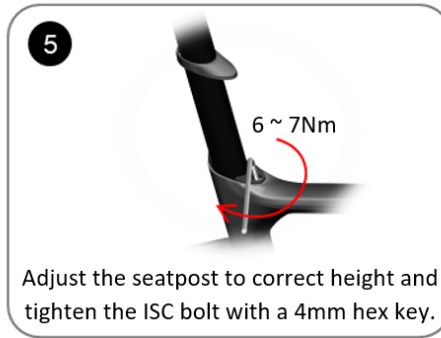
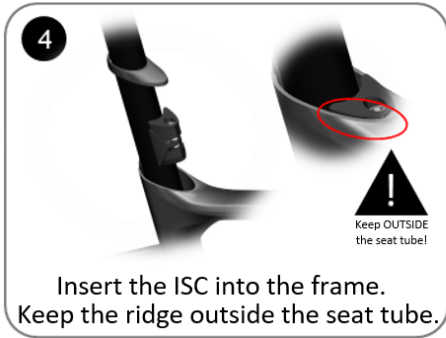
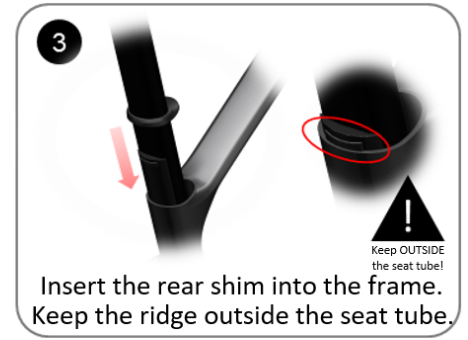
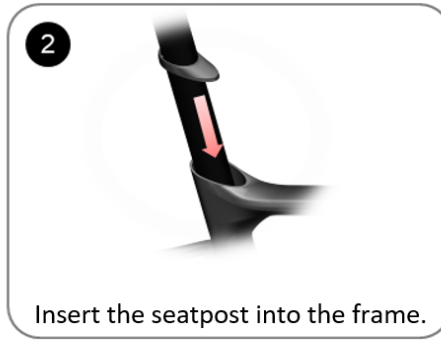
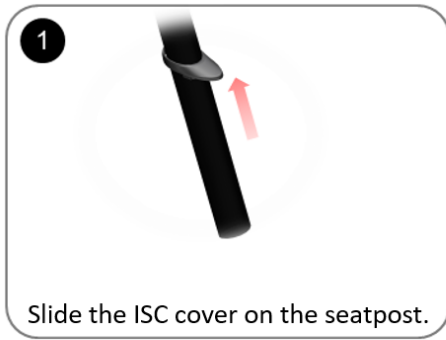


Caution:

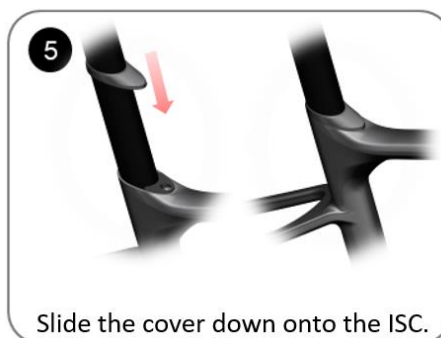
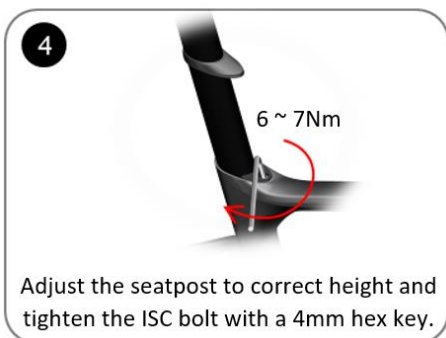
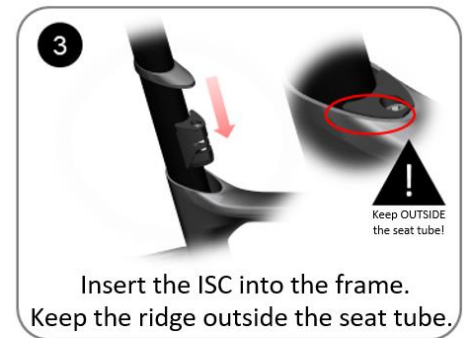
The ISC and adapter shims have a ridge for correct positioning, please make sure to keep this ridge OUTSIDE the seat tube when assembling and securing the seatpost!



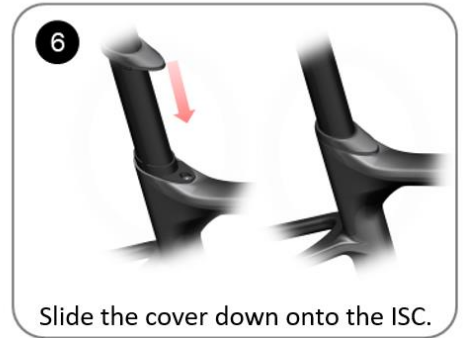
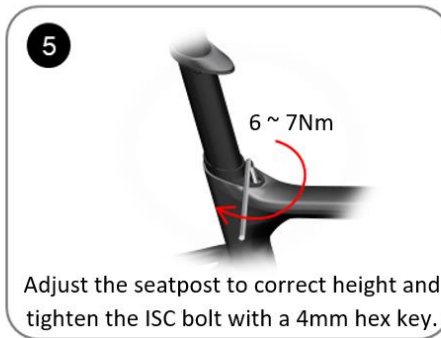
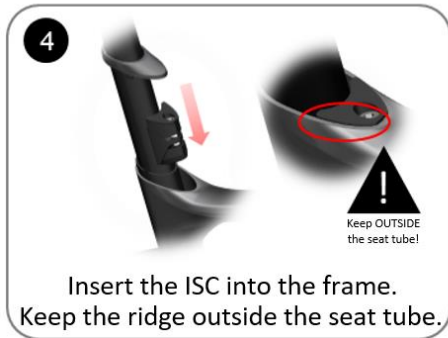
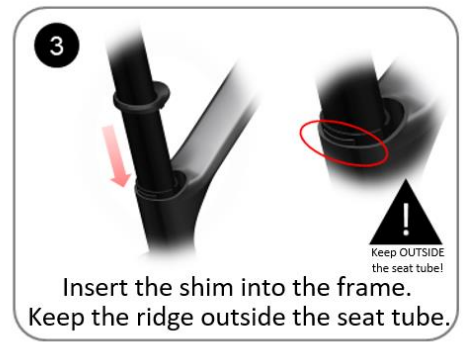
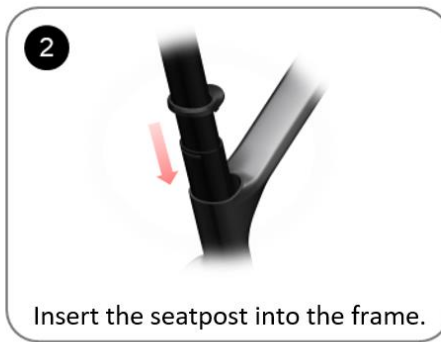
A. 30.4mm D-Fuse seat post



B. 30.9mm round seat post



C. 27.2mm round seat post



If you encounter difficulties or are uncertain about anything mentioned in this user manual, please contact a Giant authorized retailer.

For more information, please visit:

<https://www.giant-bicycles.com/global/manuals>



GIANT

liv