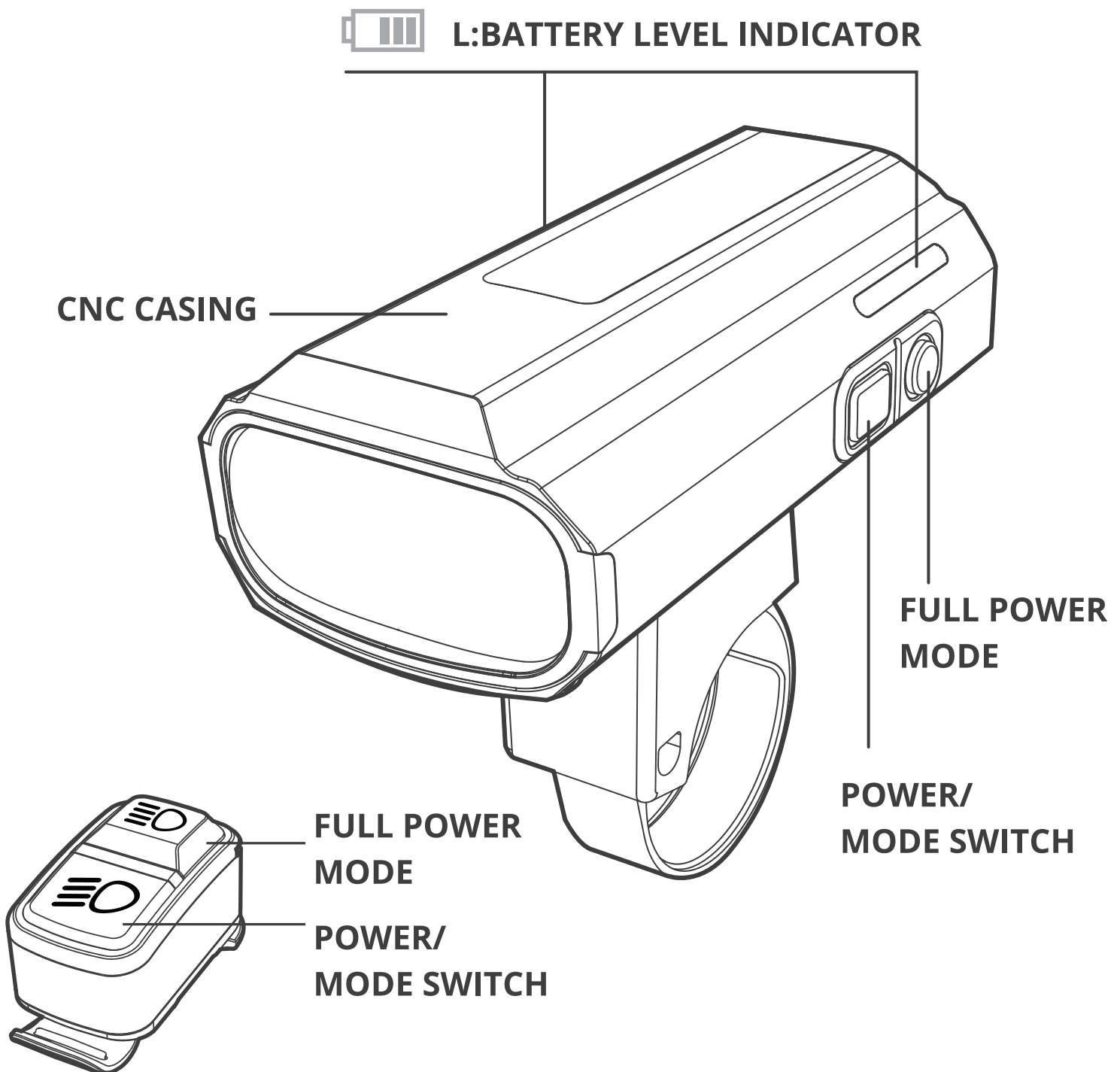


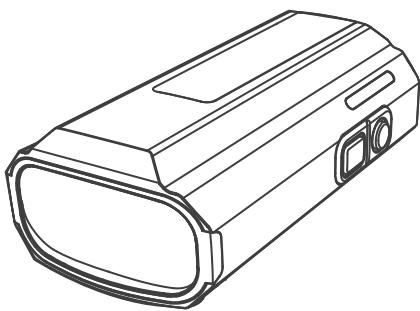
RECON PLUS HL1200

DESIGNED BY GIANT

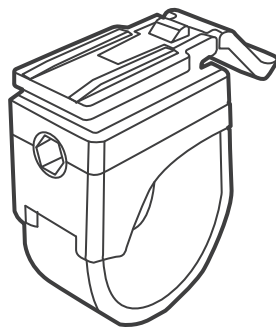


⚠ WARNING

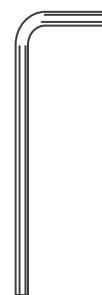
- This light emits an extremely powerful beam equivalent to automobile headlight so it may cause a hazardous situation depending on the beam angle used.
- Be sure to direct the light beam downward so the driver approaching does not get dazzled.
- Do not use high mode on public roads.
- Before your trip, please make sure the light is firmly mounted to the bracket, it lights up, and the light is not blocked by baggage, etc.
- Do not stare at the light when it is illuminated. Otherwise it may damage your eyesight.
- Do not place it within children's reach.
- In preparation for unexpected battery shutoff, we recommend you carry a spare light.
- This product is water-resistant under normal daily use and can be used in the rain. However, do not intentionally submerge it in water.
- If the light unit or parts become dirty with mud, etc., clean with a soft cloth which is moistened with mild soap. Never apply paint thinner, benzene or alcohol; damage will result.
- This unit is shipped with a small charge to check the light. Be sure to charge it before use, according to the instructions "HOW TO CHARGE".



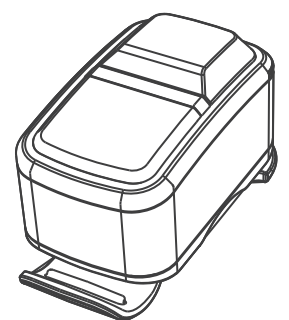
Light



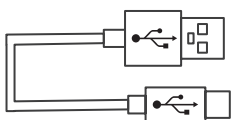
Recon Plus HB mount



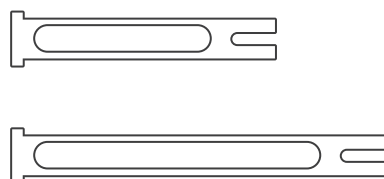
Tool



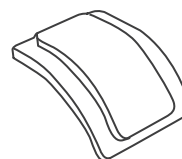
Remote Control



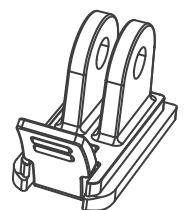
USB C Cable



Handlebar Mount



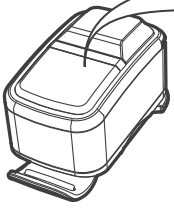
Rubber



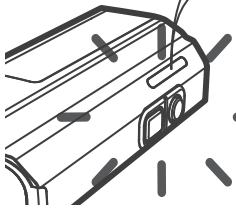
Adjustable GoPro Mount



Make sure to unlock the power before using.



Unlock Remote: Press any button for 5 seconds in the first use.



Unlock Power: Press the power button for 5 seconds.

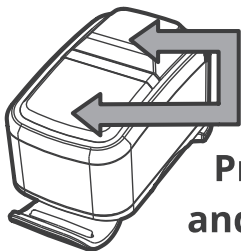
Lock Power: Press the power button for 5 seconds until the red light flashes for 3 seconds.

Check Battery: In unlock mode, short press the power button. The colors will show for 3 seconds.

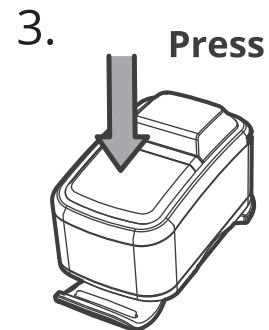
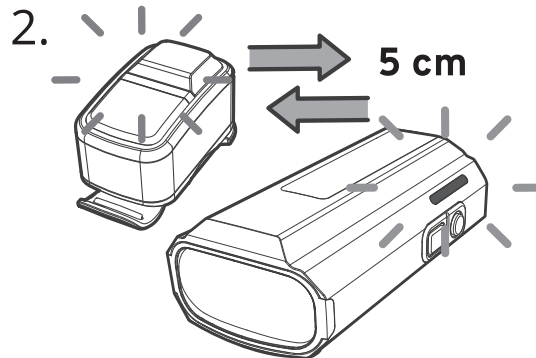
PAIRING/ UNPAIR

Turn on the front lights first.

Unlock Remote

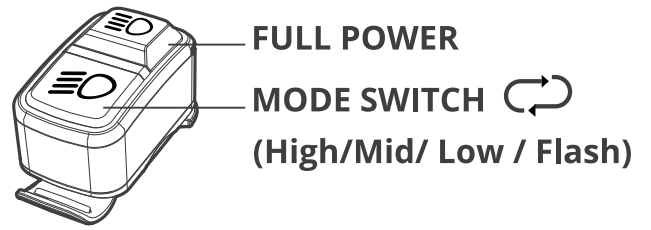
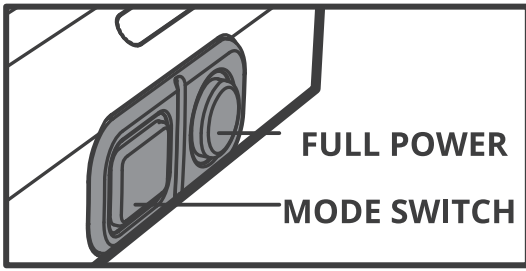


Press
and hold

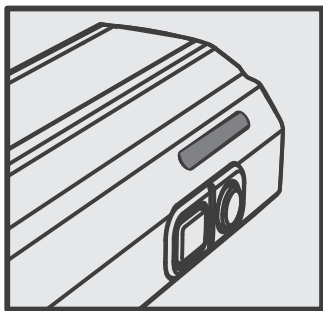


1. Press and hold **both buttons** on the **remote control** for 5 seconds until the indicator light **flashes blue**.
2. Bring **the remote close to the front light**. When the front light's indicator **flashes blue**, press any button on the remote. Both indicators will display **solid blue** for 2 seconds once paired.
3. If no button is pressed within 2 mins, pairing mode will automatically end.
4. **UNPAIR:** Press and hold **both buttons on the head light** for 10 seconds until the indicator light **flashes blue**.
5. **Unpairing your device may disconnect all paired devices. Re-pair them as needed.**

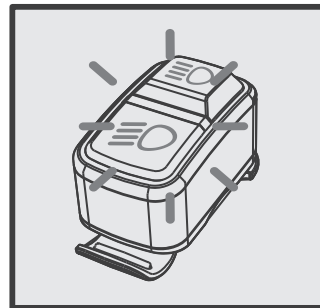
SWITCHING THE LIGHTING MODE



BATTERY INDICATOR



GREEN: 100-70%
ORANGE: 70-40%
RED: 40-10%
! RED BLINK: 10-0%



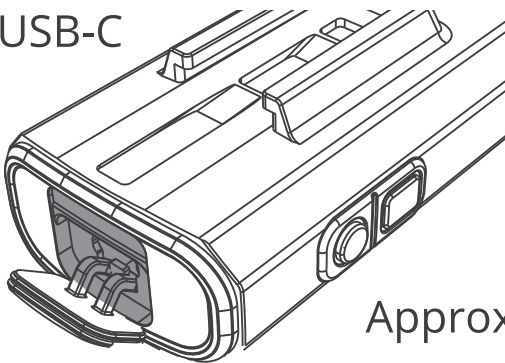
RED BLINK: 10-0%

HOW TO CHARGE

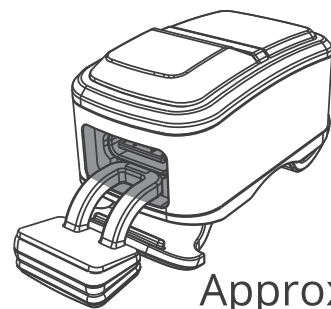


Always charge the product before use.

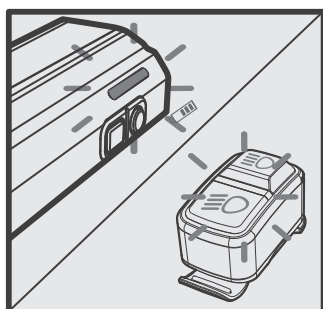
USB-C



Approx 2-4hours

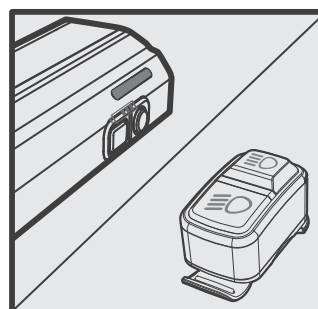


Approx 1hour



FLASHING
GREEN



RECHARGING



CONSTANT
GREEN

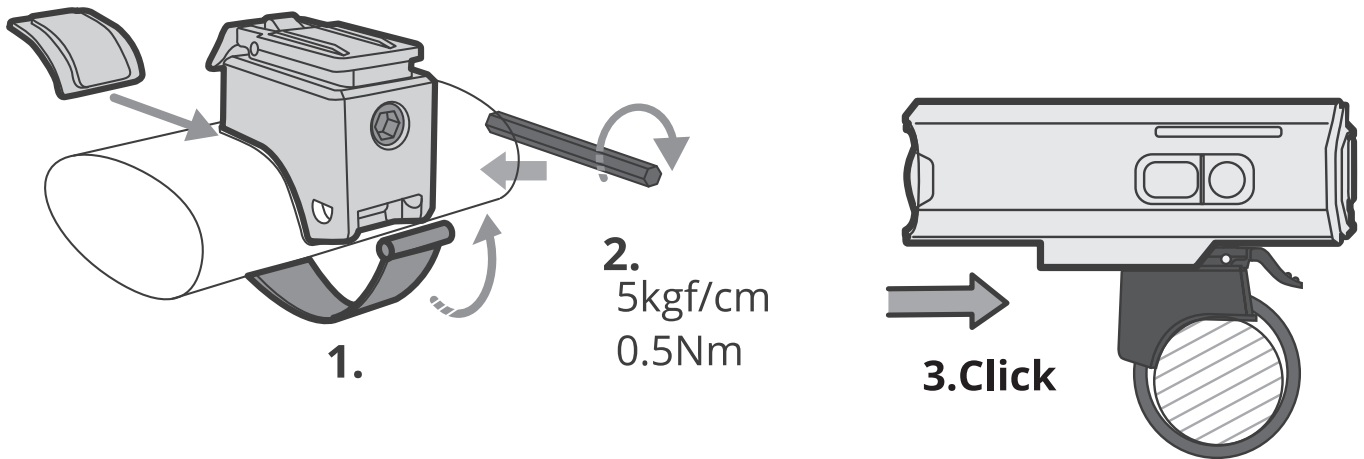
CHARGING COMPLETE

RUNTIME

ANSI	LOW BEAM(H)	LOW BEAM(M)	LOW BEAM(M)	DAY FLASH	FULL BEAM
	800 LUMENS	400 LUMENS	200 LUMENS	200 LUMENS	1200 LUMENS
	3 hr	5 hr	9 hr	45 hr	1.5 hr

When the battery drops below 10% (blinking red), the light switches to flash mode to extend battery life.

INSTALLATION



HOW TO MOUNT TO A HELMET /COMPUTER EXTENSION MOUNT

The mounting buckle and/or thumb screw, depending on the mount you are using.

