

RECON PLUS HL1400



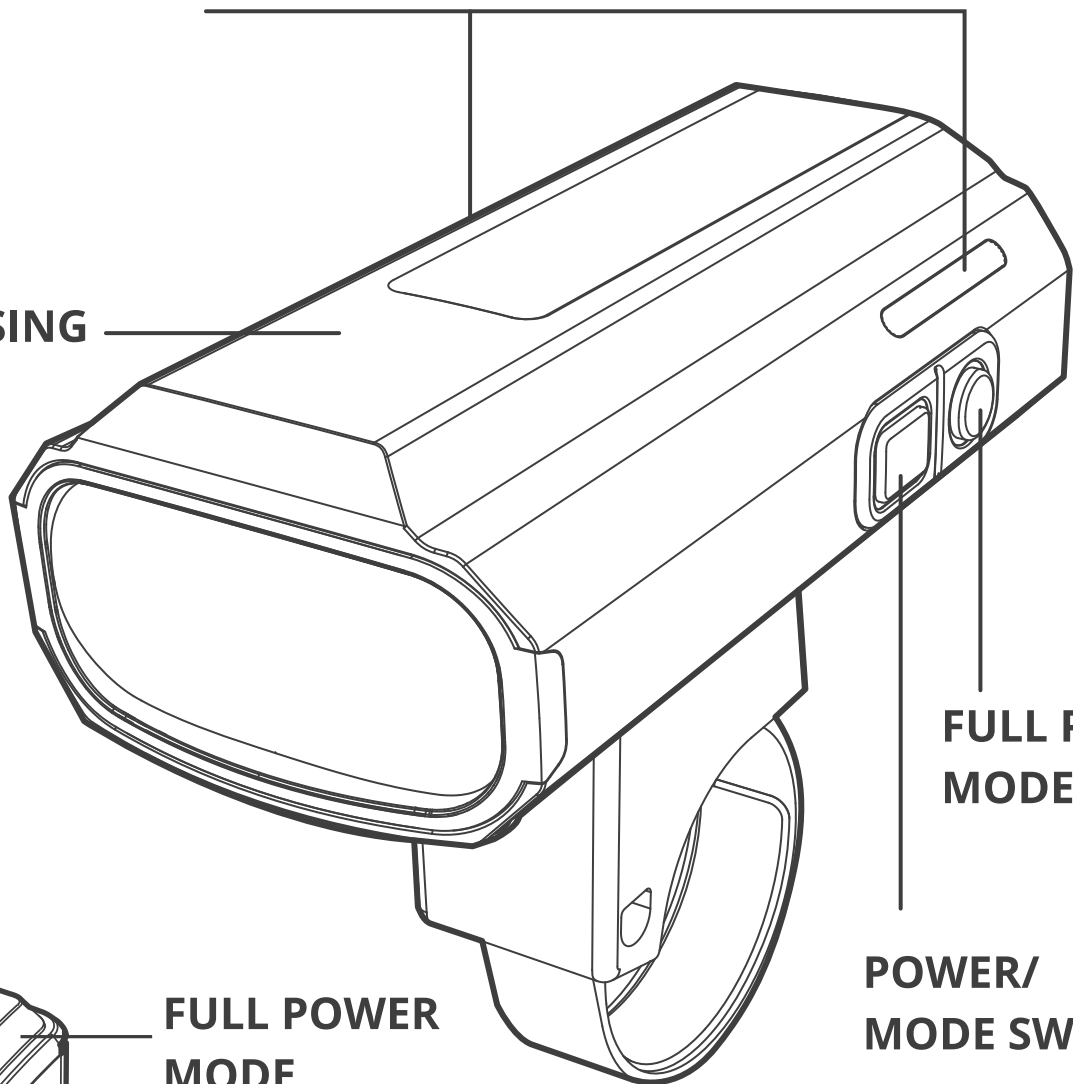
R:TAIL LIGHT INDICATOR

Pairing RECON + TL300 R to active function



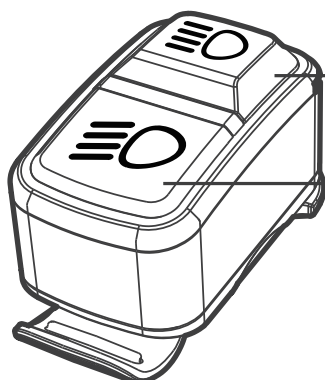
L:BATTERY LEVEL INDICATOR

CNC CASING



**FULL POWER
MODE**

**POWER/
MODE SWITCH**

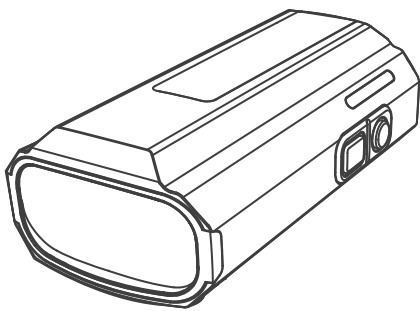


**FULL POWER
MODE**

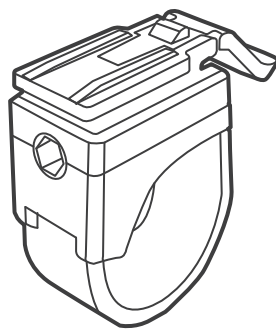
**POWER/
MODE SWITCH**

⚠ WARNING

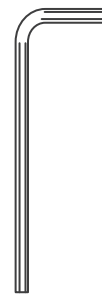
- This light emits an extremely powerful beam equivalent to automobile headlight so it may cause a hazardous situation depending on the beam angle used.
- Be sure to direct the light beam downward so the driver approaching does not get dazzled.
- Do not use high mode on public roads.
- Before your trip, please make sure the light is firmly mounted to the bracket, it lights up, and the light is not blocked by baggage, etc.
- Do not stare at the light when it is illuminated. Otherwise it may damage your eyesight.
- Do not place it within children's reach.
- In preparation for unexpected battery shutoff, we recommend you carry a spare light.
- This product is water-resistant under normal daily use and can be used in the rain. However, do not intentionally submerge it in water.
- If the light unit or parts become dirty with mud, etc., clean with a soft cloth which is moistened with mild soap. Never apply paint thinner, benzene or alcohol; damage will result.
- This unit is shipped with a small charge to check the light. Be sure to charge it before use, according to the instructions "HOW TO CHARGE".



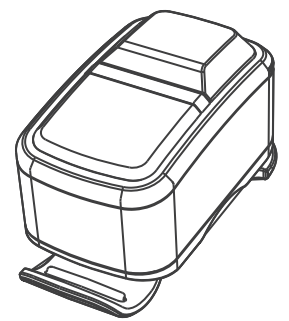
Light



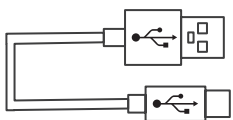
Recon Plus HB mount



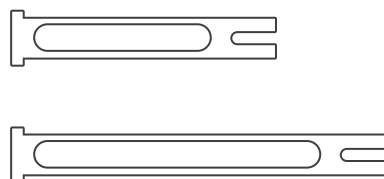
Tool



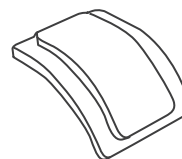
Remote Control



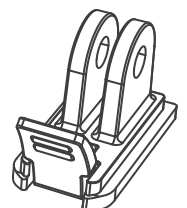
USB C Cable



Handlebar Mount



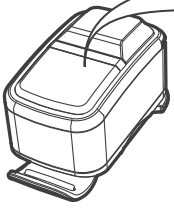
Rubber



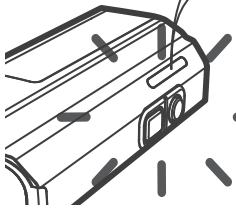
Adjustable GoPro Mount



Make sure to unlock the power before using.



Unlock Remote: Press any button for 5 seconds in the first use.



Unlock Power: Press the power button for 5 seconds.

Lock Power: Press the power button for 5 seconds until the red light flashes for 3 seconds.

Check Battery: In unlock mode, short press the power button. The colors will show for 3 seconds.

PAIRING/ UNPAIR

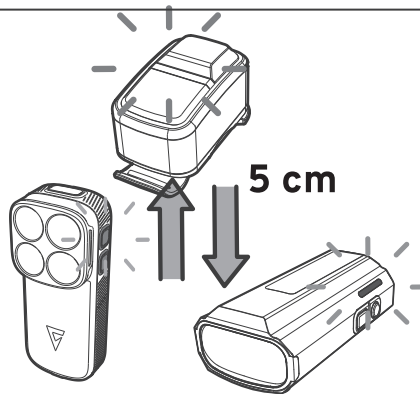
! Unlock the Remote

! Turn on the head light and taillight first

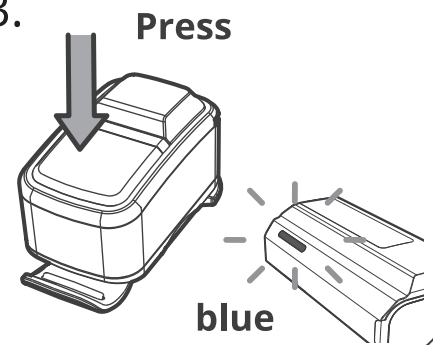
1.



2.

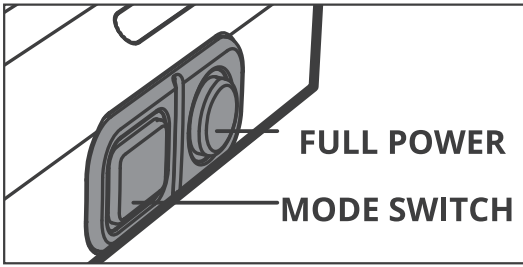


3.

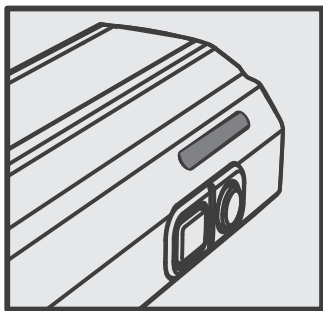


1. Press and hold **both buttons** on the **remote control** for 5 seconds until the indicator light **flashes blue**.
2. Bring **the remote close to the headlight and tail light**. When the headlight's indicator **flashes blue**, press any button on the remote. Both indicators will display **solid blue** for 2 seconds once paired. and the head light will display a solid blue light on the right side of casing.
3. If no button is pressed within 2 mins, pairing mode will automatically end.
4. **UNPAIR:** Press and hold **both buttons on the head light** for 10 seconds until the indicator light **flashes blue**.
5. **Unpairing your device may disconnect all paired devices.**
Re-pair them as needed.

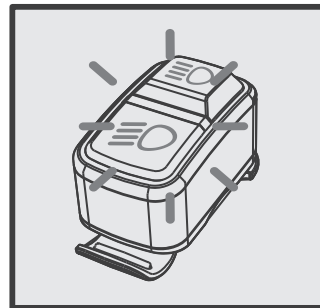
SWITCHING THE LIGHTING MODE



BATTERY INDICATOR



GREEN: 100-70%
ORANGE: 70-40%
RED: 40-10%
! RED BLINK: 10-0%



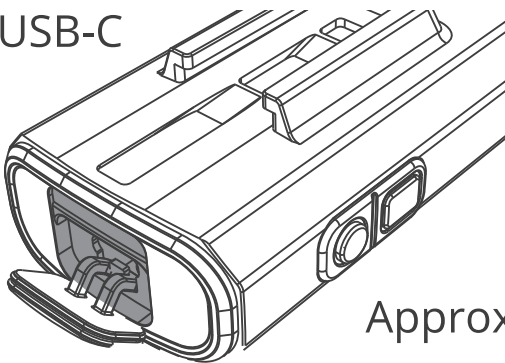
RED BLINK: 10-0%

HOW TO CHARGE

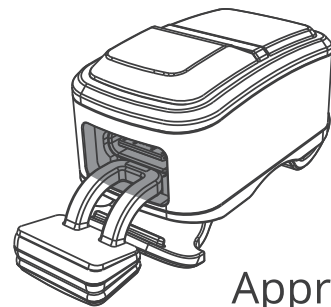


Always charge the product before use.

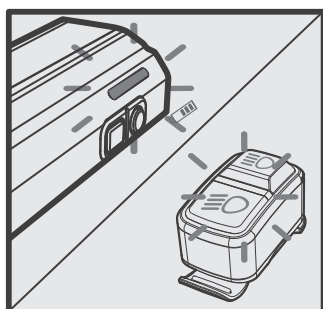
USB-C



Approx 2-4hrs

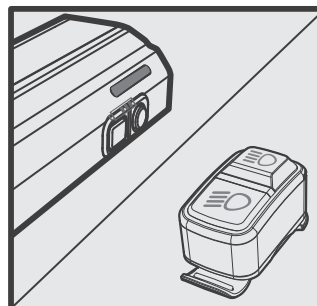


Approx 1hr



FLASHING
GREEN



RECHARGING



CONSTANT
GREEN

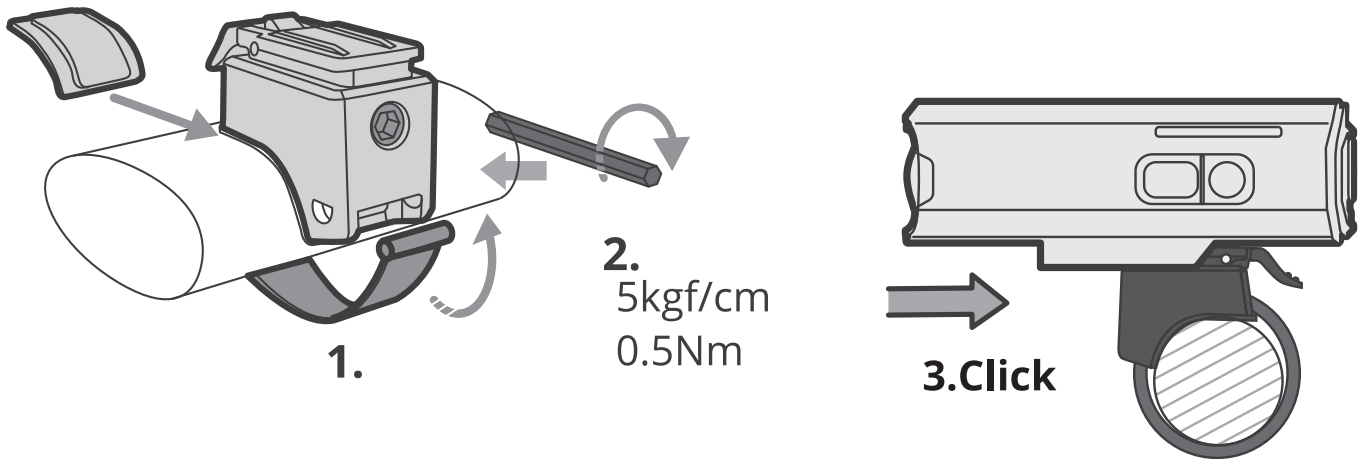
CHARGING COMPLETE

RUNTIME

ANSI	LOW BEAM(H)	LOW BEAM(M)	LOW BEAM(M)	DAY FLASH	FULL BEAM
	1000 LUMENS	500 LUMENS	300 LUMENS	300 LUMENS	1400 LUMENS
	3 hr	5 hr	8 hr	50 hr	1.5 hr

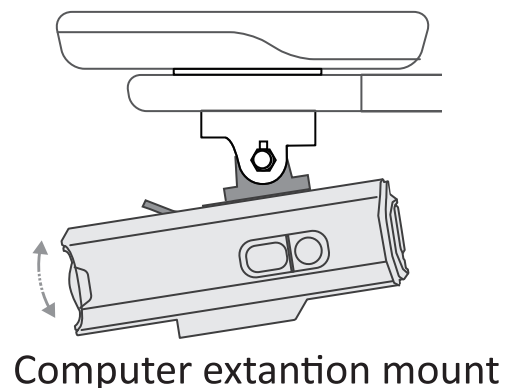
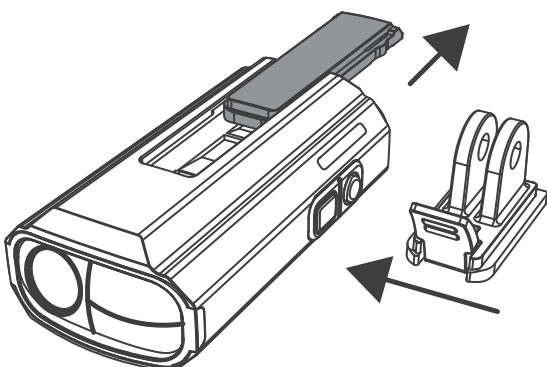
When the battery drops below 10% (blinking red), the light switches to flash mode to extend battery life.

INSTALLATION



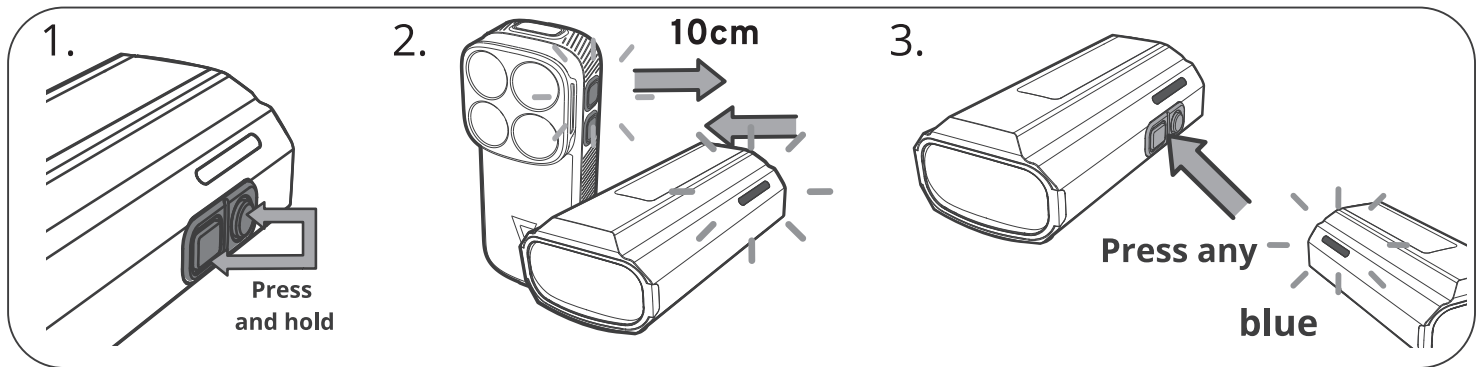
HOW TO MOUNT TO A HELMET /COMPUTER EXTENSION MOUNT

The mounting buckle and/or thumb screw, depending on the mount you are using.



Pairing the Front Light with the Recon Plus TL300R

1. Unlock the front light & turn on the tail lights first.
2. Press and hold both buttons on the front light simultaneously for 5 seconds until the indicator light **flashes blue**.
3. Bring the front light **close** to the Recon Plus TL300R you want to pair. When the front light and the radar tail light connect, the radar tail light will show **blue** on the side.
4. **Press any button on the front light to complete the pairing** (if no button is pressed within 2 minutes, the pairing mode will automatically end). Once paired, the front light will display a solid blue light on the right side of casing.
5. **UNPAIR:** Press and hold **both button on the head light** for **10 seconds** until the side indicator light **flashes**. (Unpairing your device may disconnect all paired devices. Re-pair them as needed.)



PAIRING with computers

- Make sure both the Garmin computer and the Recon Plus HL2600, HL1400, TL300R are charged.
- Turn on the Recon Plus HL2600, HL1400, TL300R. It's now ready to connect.
- Make sure the Recon Plus HL2600, HL1400, TL300R is close to the Garmin computer.
- On the Garmin, go to Settings, then Sensors & Accessories, and choose Add Sensor or Search.
- When the HL2600, HL1400, TL300R appears on the list, select it.
- Follow the instructions on the Garmin screen to finish connecting.
- Once connected, you'll see a message on the Garmin confirming the pairing.
- The Garmin will now control when the light on the Recon Plus HL2600, HL1400, TL300R turns on and off. **PLEASE USE "INDIVIDUAL"**
- The light turns on when you turn on the Garmin and off when you turn it off.
- The light turns on when you start your timer and off when you finish your ride.