

RECON PLUS HL2600

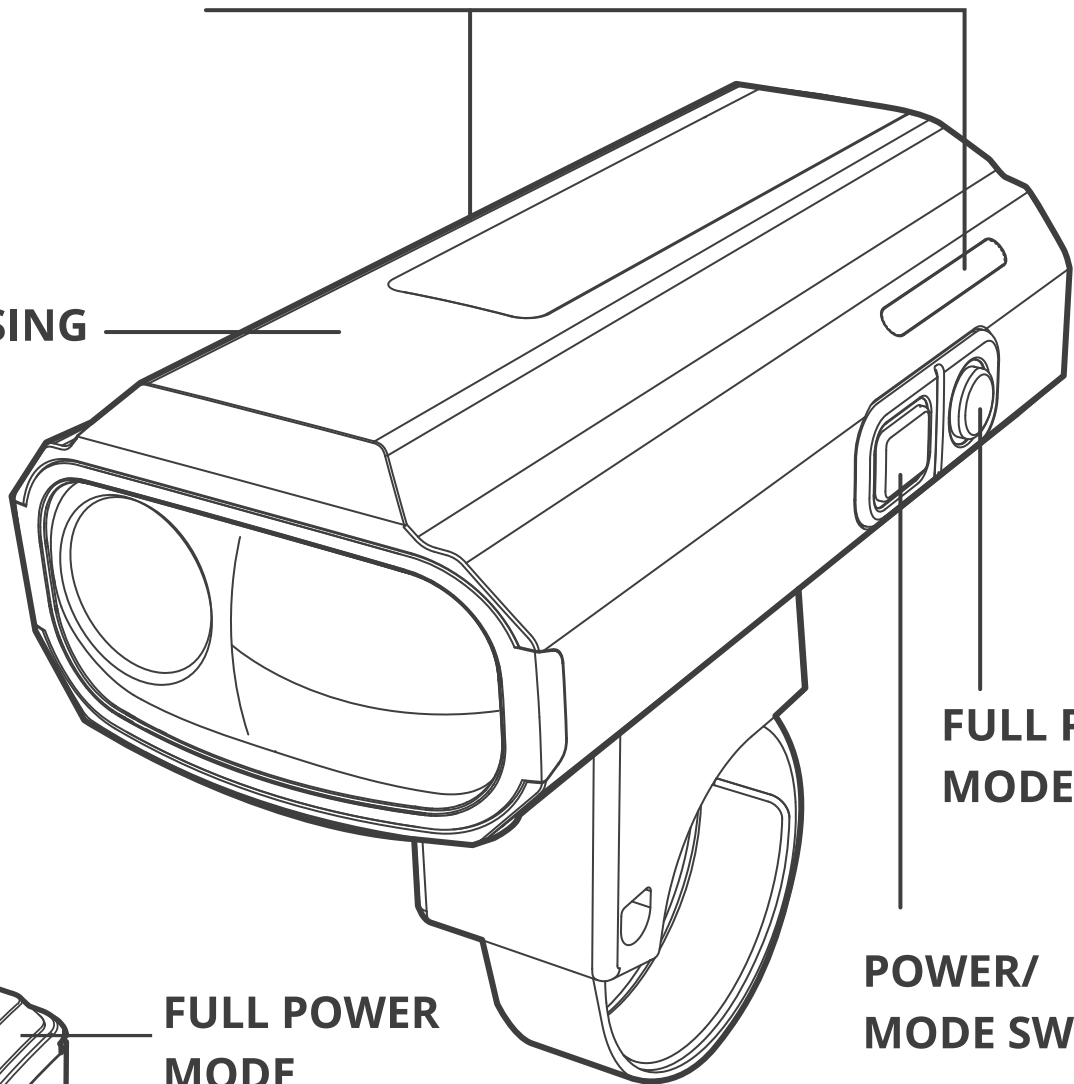


(R):TAIL LIGHT CONNECTION STATUS INDICATOR



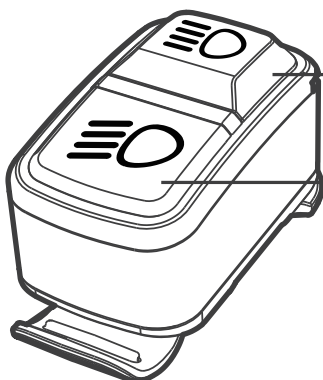
(L):BATTERY LEVEL INDICATOR

CNC CASING



FULL POWER MODE

POWER/
MODE SWITCH

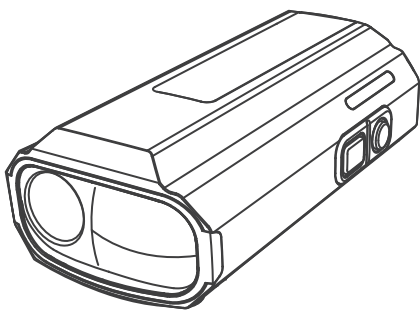


FULL POWER MODE

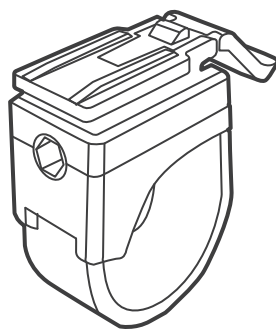
POWER/
MODE SWITCH

⚠ WARNING

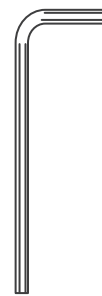
- This light emits an extremely powerful beam equivalent to automobile headlight so it may cause a hazardous situation depending on the beam angle used.
- Be sure to direct the light beam downward so the driver approaching does not get dazzled.
- Do not use high mode on public roads.
- Before your trip, please make sure the light is firmly mounted to the bracket, it lights up, and the light is not blocked by baggage, etc.
- Do not stare at the light when it is illuminated. Otherwise it may damage your eyesight.
- Do not place it within children's reach.
- In preparation for unexpected battery shutoff, we recommend you carry a spare light.
- This product is water-resistant under normal daily use and can be used in the rain. However, do not intentionally submerge it in water.
- If the light unit or parts become dirty with mud, etc., clean with a soft cloth which is moistened with mild soap. Never apply paint thinner, benzene or alcohol; damage will result.
- This unit is shipped with a small charge to check the light. Be sure to charge it before use, according to the instructions "HOW TO CHARGE".



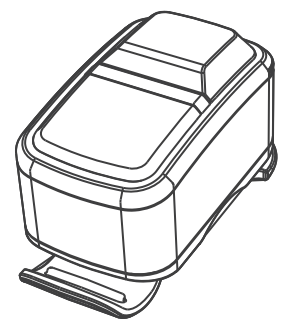
Light



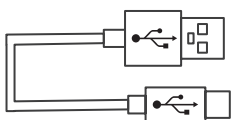
Recon Plus HB mount



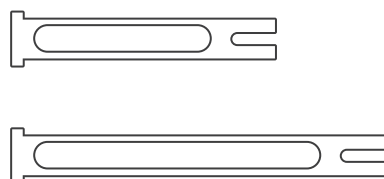
Tool



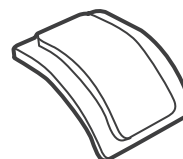
Remote Control



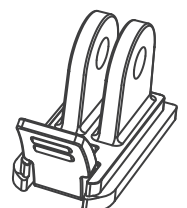
USB C Cable



Handlebar Mount



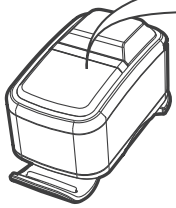
Rubber



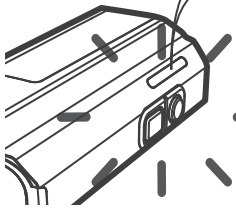
Adjustable GoPro Mount



Make sure to unlock the power before using.



Unlock Remote: Press any button for 5 seconds in the first use.



Unlock Power: Press the power button for 5 seconds.

Lock Power: Press the power button for 5 seconds until the red light flashes for 3 seconds.

Check Battery: In unlock mode, short press the power button. The colors will show for 3 seconds.

PAIRING/ UNPAIR

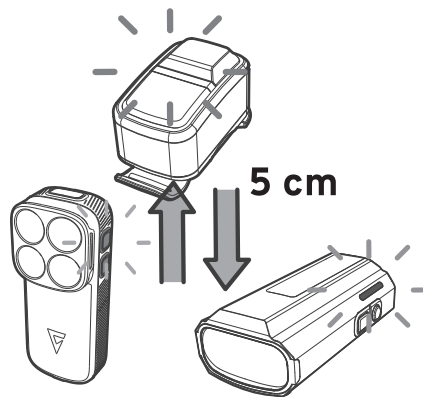
! Unlock the Remote

! Turn on the head light and taillight first

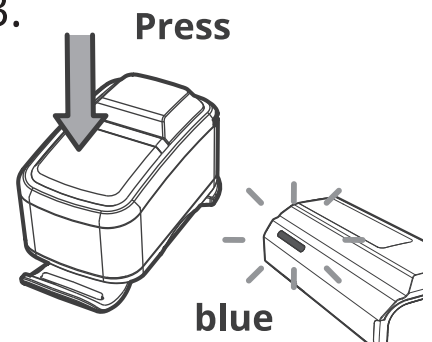
1.



2.

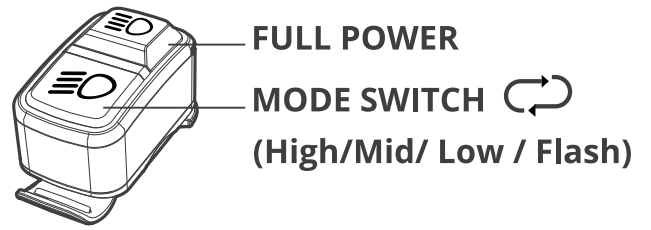
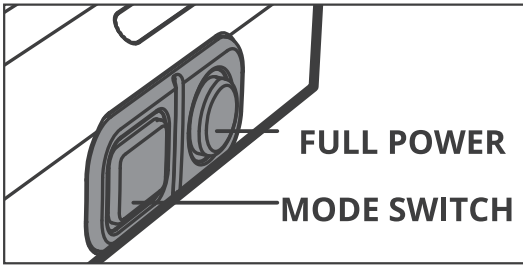


3.

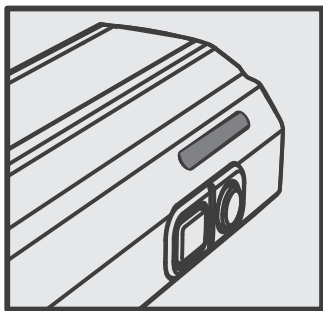


1. Press and hold **both buttons** on the **remote control** for 5 seconds until the indicator light **flashes blue**.
2. Bring **the remote close to the headlight and taillight**. When the headlight's indicator **flashes blue**, press any button on the remote. Both indicators will display **solid blue** for 2 seconds once paired. and the head light will display a solid blue light on the right side of casing.
3. If no button is pressed within 2 mins, pairing mode will automatically end.
4. **UNPAIR:** Press and hold **both buttons on the head light** for 10 seconds until the indicator light **flashes blue**.
5. **Unpairing your device may disconnect all paired devices.**
Re-pair them as needed.

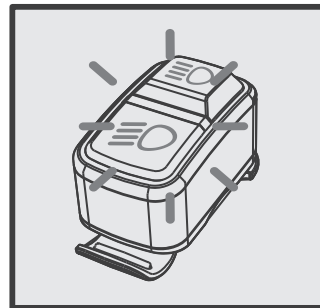
SWITCHING THE LIGHTING MODE



BATTERY INDICATOR



- GREEN: 100-70%
- ORANGE: 70-40%
- RED: 40-10%
- ! RED BLINK: 10-0%



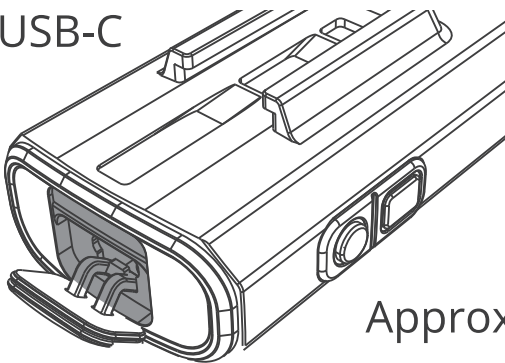
RED BLINK: 10-0%

HOW TO CHARGE

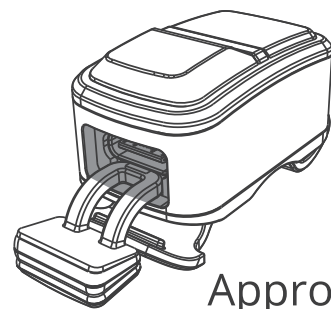


Always charge the product before use.

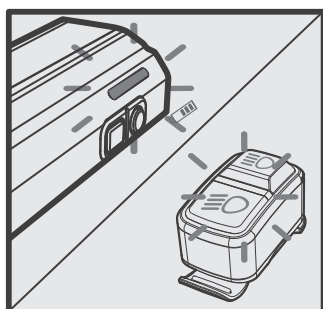
USB-C



Approx 2-4hours

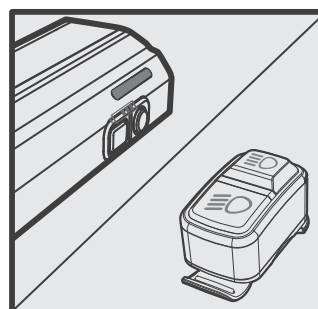


Approx 1hour



FLASHING GREEN



RECHARGING



CONSTANT GREEN

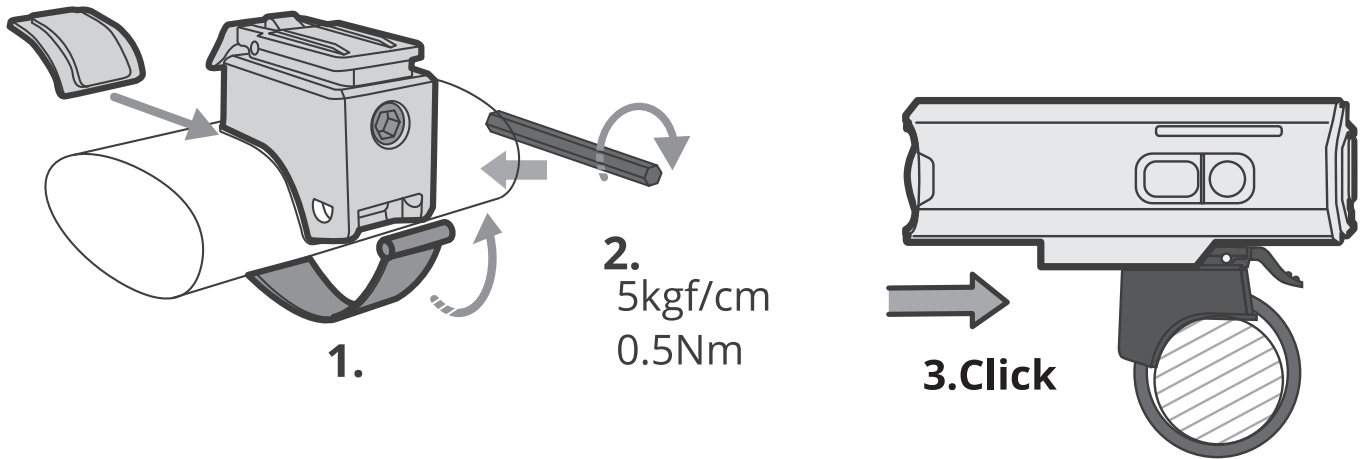
CHARGING COMPLETE

RUNTIME

ANSI	LOW BEAM(H)	LOW BEAM(M)	LOW BEAM(M)	DAY FLASH	FULL BEAM
	1600 LUMENS	800 LUMENS	500 LUMENS	400-50 LUMENS	2600 LUMENS
	4 hr	6 hr	10 hr	50 hr	1.5 hr

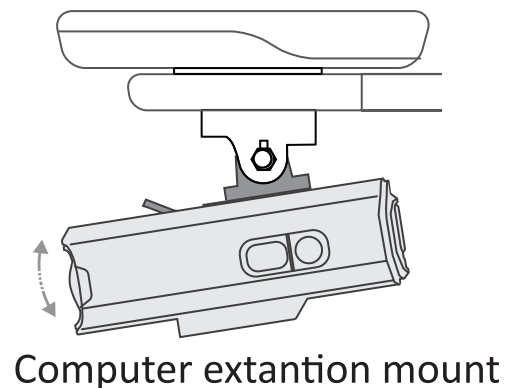
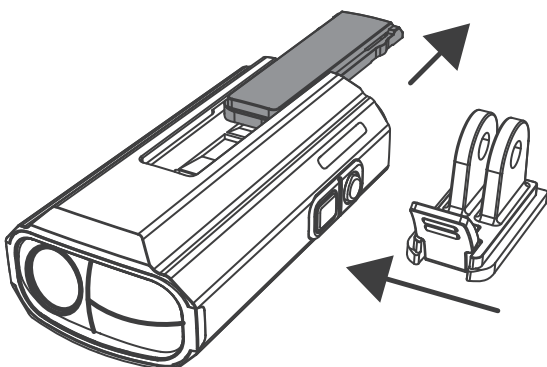
! When the battery drops below 10%, the light output is reduced to extend the remaining battery life.

INSTALLATION



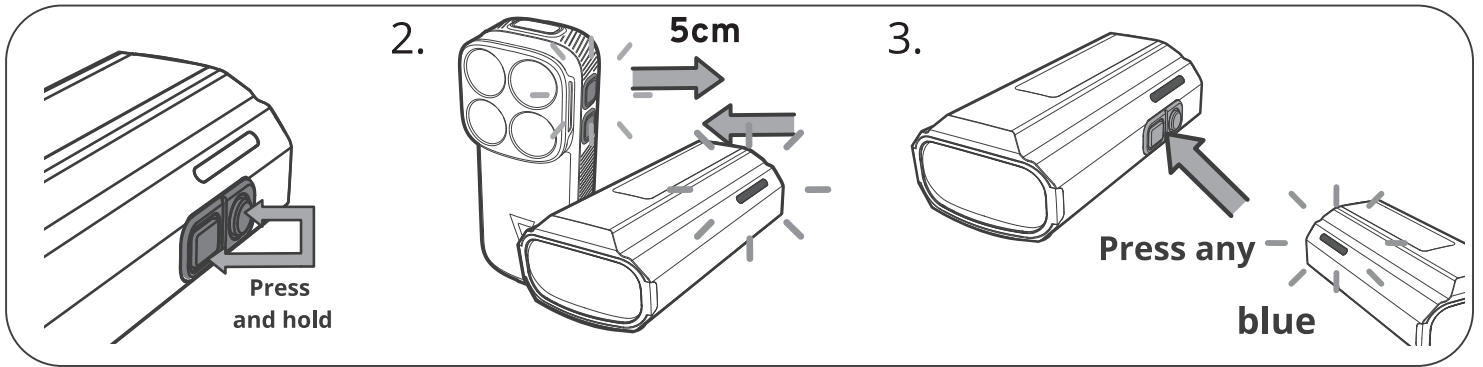
HOW TO MOUNT TO A HELMET /COMPUTER EXTENSION MOUNT

The mounting buckle and/or thumb screw, depending on the mount you are using.



Pairing the Front Light with the Recon Plus TL300R

- 1.Unlock the front light & turn on the tail lights first.
- 2.Press and hold both buttons on the front light simultaneously for 5 seconds until the indicator light **flashes blue**.
- 3.Bring the front light **close** to the Recon Plus TL300R you want to pair. When the front light and the radar tail light connect, the radar tail light will show **blue** on the side.
- 4.**Press any button on the front light to complete the pairing** (if no button is pressed within 2 minutes, the pairing mode will automatically end). Once paired, the front light will display a solid blue light on the right side of casing.
- 5.**UNPAIR:** Press and hold **both button on the head light** for **10 seconds** until the side indicator light **flashes** .(Unpairing your device may disconnect all paired devices. Re-pair them as needed.)



PAIRING with computers

- Make sure both the Garmin computer and the Recon Plus HL2600,HL1400, TL300R are charged.
- Turn on the Recon Plus HL2600,HL1400, TL300R. It's now ready to connect.
- Make sure the Recon Plus HL2600,HL1400, TL300R. is close to the Garmin computer.
- On the Garmin, go to Settings, then Sensors & Accessories, and choose Add Sensor or Search.
- When the HL2600,HL1400, TL300R. appears on the list, select it.
- Follow the instructions on the Garmin screen to finish connecting.
- Once connected, you'll see a message on the Garmin confirming the pairing.
- The Garmin will now control when the light on the Recon Plus HL2600,HL1400, TL300R turns on and off. **PLEASE USE "INDIVISUAL"**
- The light turns on when you turn on the Garmin and off when you turn it off.
- The light turns on when you start your timer and off when you finish your ride.