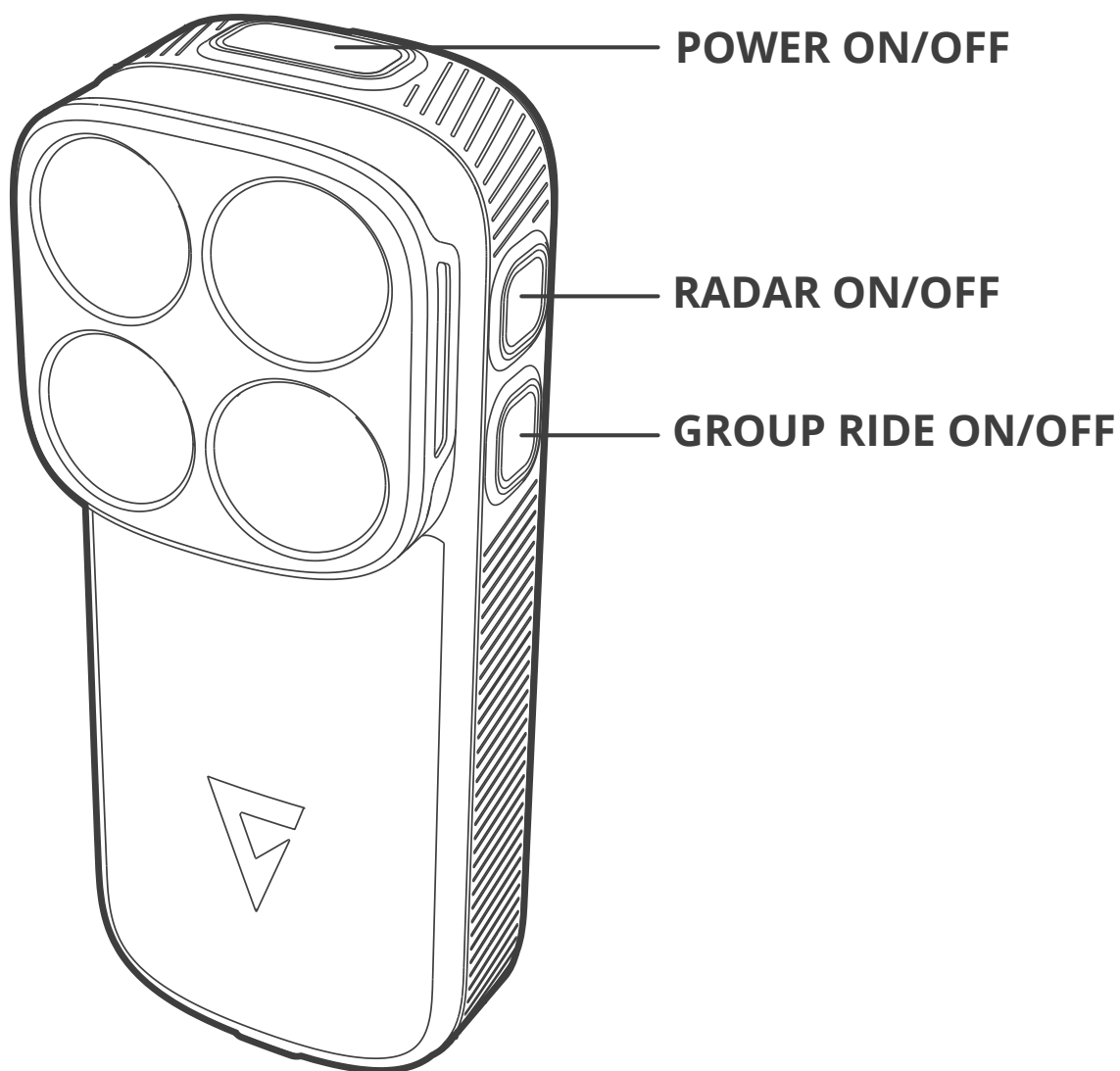


# RECON PLUS TL300R



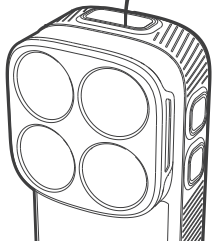
## WARNING

- Do not look directly into the lights of other users, including those on other roads. This product emits an extremely powerful light beam that can cause eye damage and other injuries. Please use it with care. Keep this product away from children.
- Before using this item, please ensure that the light has been securely mounted on the bracket, that the light can be turned on, and that the light will not be obstructed by luggage or items in the path of the beam.
- Carry a spare light or battery pack with you, as the light may fail unexpectedly.
- This product is IPX6 rated (waterproof) in normal use and can therefore be used in the rain. This product, however, shall not be intentionally submerged in water.
- Charge the battery before use, please refer to "How to Charge" section for instructions.
- Please refer to the Important Safety and Product Information guide included in the product box for detailed product warnings and other crucial information.
- This device is designed to enhance situational awareness. However, it should not be considered a substitute for cyclist vigilance and sound judgment. Always stay aware of road conditions and ride safely. Failure to adhere to this advice could result in serious injury or death.
- It is imperative to constantly be aware of your surroundings and operate your bicycle safely. Neglecting to do so may result in serious injury or death.
- The radar can detect approaching vehicles within approximately 140 meters.
- The radar can detect approaching vehicles with relative speeds ranging from 10 km/h to 120 km/h (6 to 75 mph).
- Note: The radar will not detect vehicles traveling at the same speed as you or those moving away from you.
- The radar beam width is 35°
- The radar can detect up to eight approaching vehicles at a time.

# BIKE LIGHT OPERATION



Make sure to unlock the power before using.



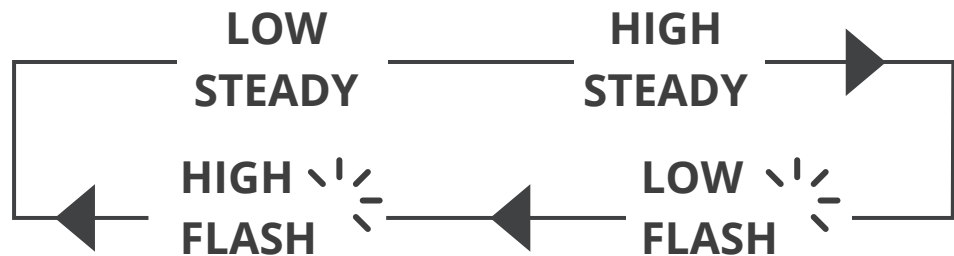
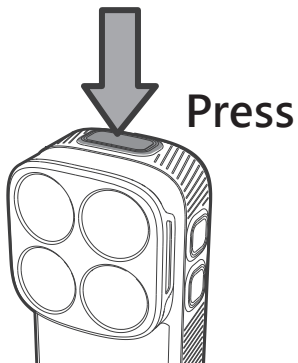
**Unlock Power:** Hold the power button for 5 seconds.

**Lock Power:** Hold the power button for 5 seconds until the red light flashes for 3 seconds.

**Check Battery:** In unlock mode, short press the power button. The colors will show for 3 seconds.

## 1. POWER ON/OFF:

Press and hold the power button for 1 second.



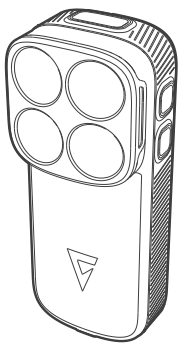
## RUNTIME

ANSI	LOW	HIGH	LOW FLASH	HIGH FLASH	GROUP RIDE
	10 LUMENS	150 LUMENS	10 LUMENS	300-30 LUMENS	10 LUMENS
	22 hr	9 hr	30 hr	11 hr	22 hr

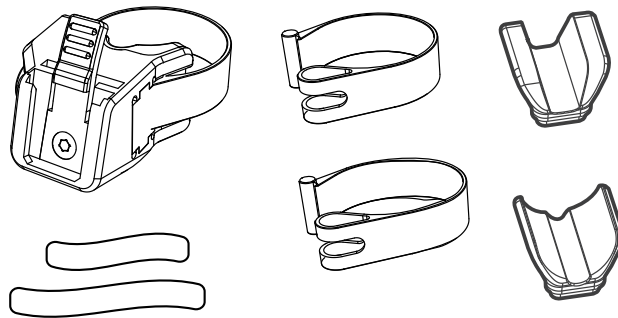
**! When the battery drops below 10%, the light output is reduced to extend the remaining battery life.**

# INSTALLATION

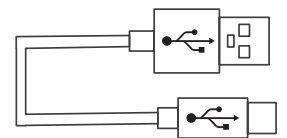
- Choose a secure location on the bike where the device won't interfere with safe operation.
- Mount the device high on the seat post for best light visibility and radar detection.
- Ensure the mounting surface is vertical, with the device facing backward and perpendicular to the road.
- Position the device 70cm to 120cm above the road.
- Ensure the device is installed correctly.



Light x 1

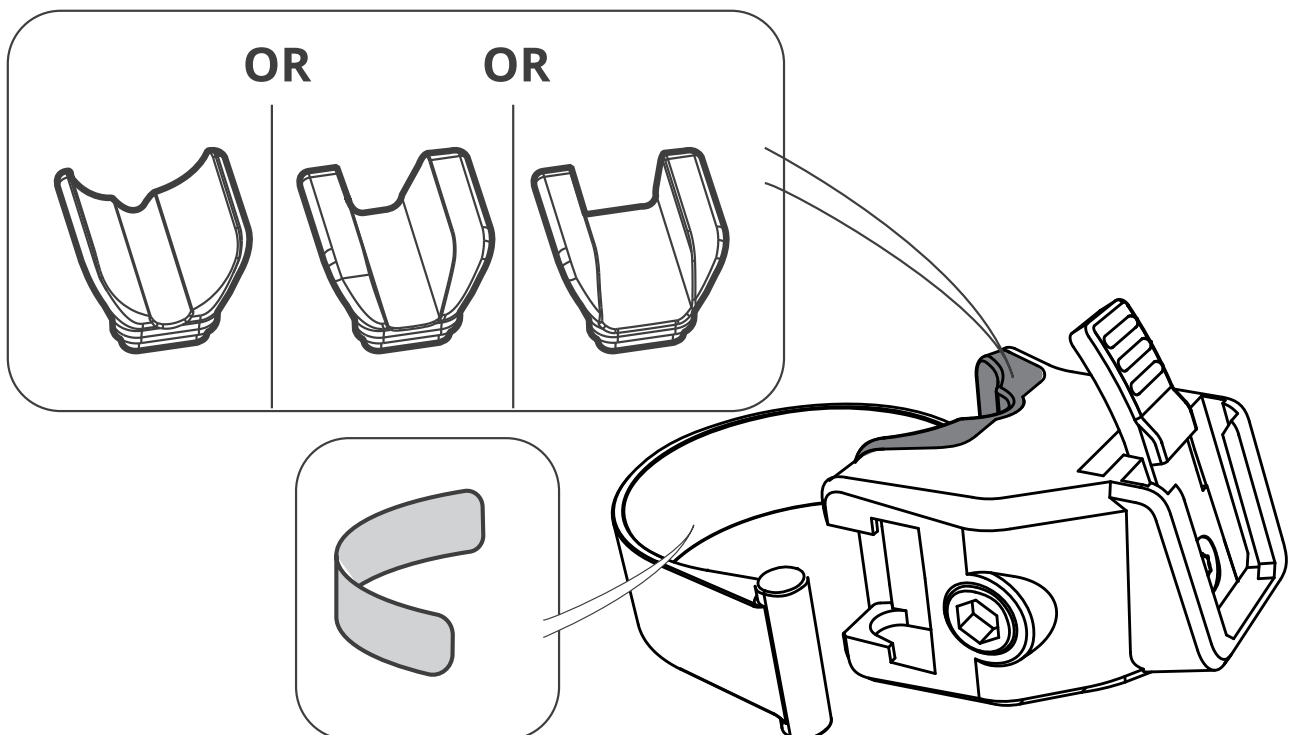


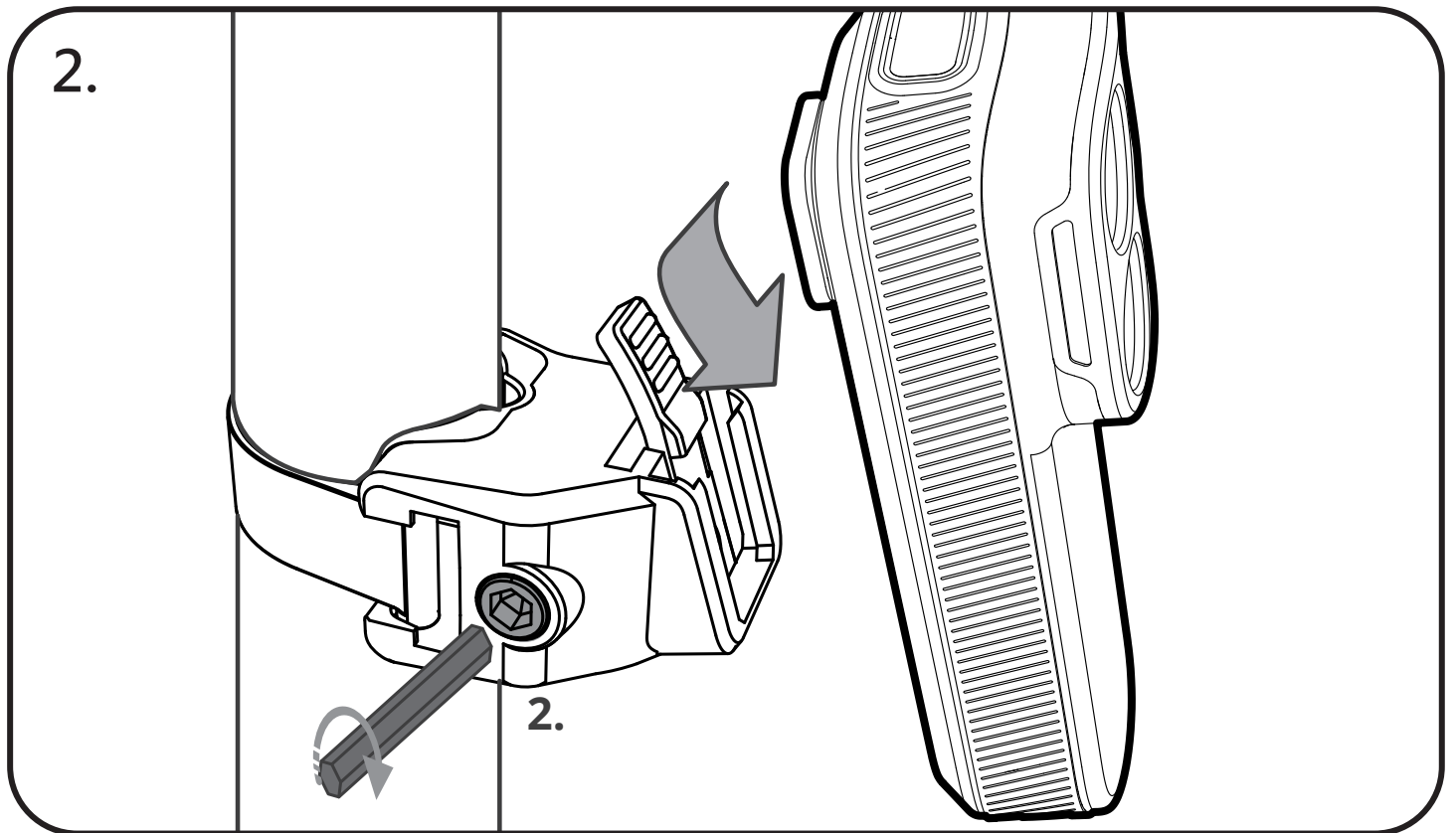
TL 300R Mount



USB C Cable

1.





## HOW TO ADD ITEMS TO APPLE'S FIND MY NETWORK

!!! An iPhone running iOS 14.5 or later, or a Mac running macOS Big Sur 11.1 or later.

- Unlock Tail Light, press any button before add item to Apple Find My™ network.
- Enable Bluetooth and Location Services:
- On your iPhone, go to Settings > Privacy > Location Services, and make sure Location Services are turned on.
- Ensure Bluetooth is turned on, go to Settings > Bluetooth.
- Open the Find My™ App, On your iPhone, locate and open the Find My™ app.
- In the Find My™ app, tap the "Items" tab at the bottom.
- Tap "Add Item" or "Add New Item," then select "Item."
- Once the item is successfully added, you will see it listed under the "Items" tab in the Find My app.™

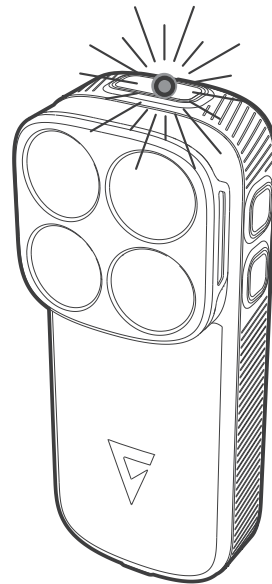
# BATTERY INDICATOR

Constant green: 100%-70%

Constant yellow: 70%-40%

Constant red: 40%-20%

Flashing red indicates 20%-0%

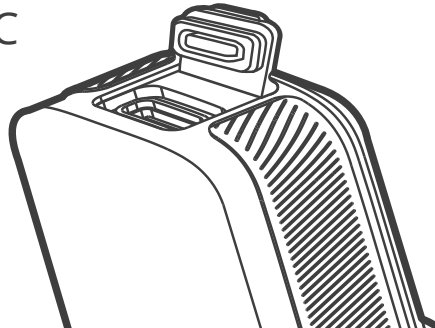


# HOW TO CHARGE

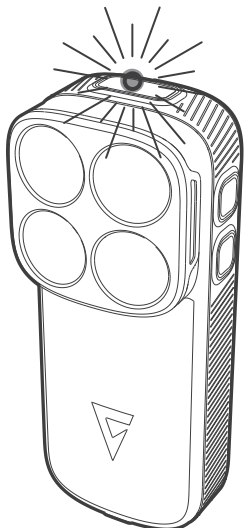


Please charge before use

USB-C

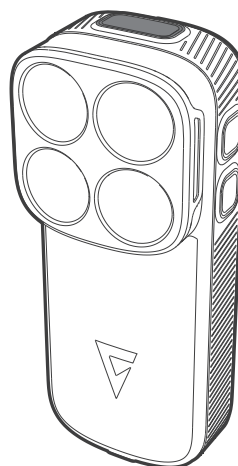


Approx 2-3hours



**FLASHING  
GREEN  
LIGHT**

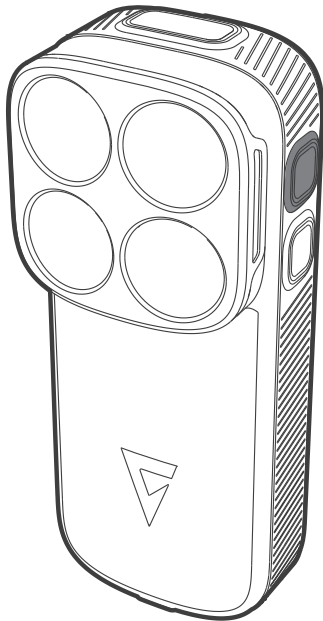
**RECHARGING**



**CONSTANT  
GREEN  
LIGHT**

**CHARGING COMPLETE**

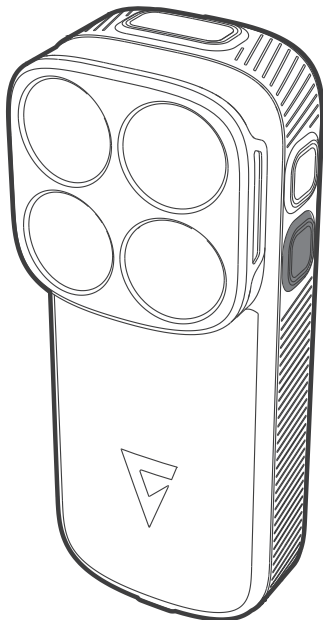
# MODE



## RADAR FUNCTION ON/OFF:



- The radar function is enabled by default, The green light will indicate that the radar is on.
- To turn off the radar function independently, press and hold the button for 1 second.



## GROUP RIDING MODE ON/OFF:

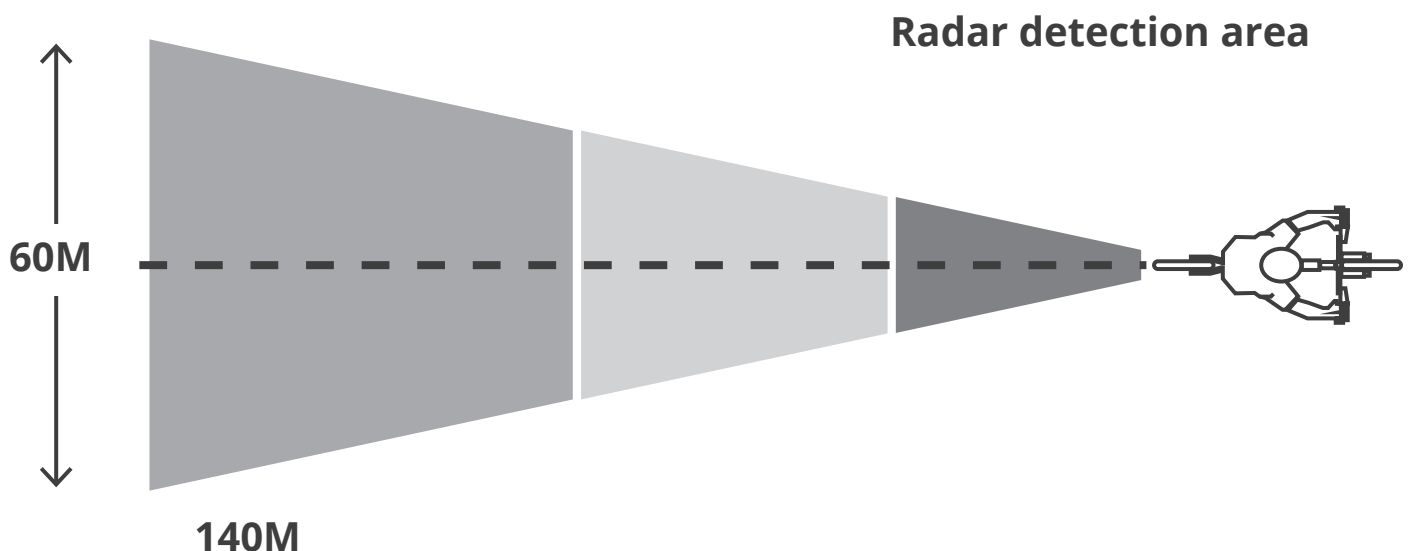


- The Group riding function is enabled by default, The blue light will indicate that the function is on.
- When the group riding function is enabled, all Recon plus taillight devices will automatically enter group riding mode when they are within 20 meters of each other. The tail light will be on at a brightness of 5 lumens.
- To turn off the Group riding function independently, press and hold the button for 1 second.

## CONNECT TO ANT+ DEVICE:

- Make sure both the Garmin computer and the Recon Plus HL2600,HL1400, TL300R are charged.
- Turn on the Recon Plus HL2600,HL1400, TL300R. It's now ready to connect.
- Make sure the Recon Plus HL2600,HL1400, TL300R. is close to the Garmin computer.
- On the Garmin, go to Settings, then Sensors & Accessories, and choose Add Sensor or Search.
- When the HL2600,HL1400, TL300R. appears on the list, select it.
- Follow the instructions on the Garmin screen to finish connecting.
- Once connected, you'll see a message on the Garmin confirming the pairing.
- The Garmin will now control when the light on the Recon Plus HL2600,HL1400, TL300R turns on and off. **PLEASE USE "INDIVIDUAL"**
- The light turns on when you turn on the Garmin and off when you turn it off.
- The light turns on when you start your timer and off when you finish your ride.

## RADAR DETECTION ZONE







Use of the Works with Apple badge means that a product has been designed to work specifically with the technology identified in the badge and has been certified by the product manufacturer to meet Apple Find My network product specifications and requirements. Apple is not responsible for the operation of this device or use of this product or its compliance with safety and regulatory standards.

To use the Apple Find My app to locate this item, the latest version of iOS, iPadOS, or macOS is recommended. The Find Items app on Apple Watch requires the latest version of watchOS.

Apple, Apple Find My, Apple Watch, Find My, iPhone, iPad, iPadOS, Mac, macOS and watchOS are the trademarks of Apple Inc., registered in the U.S. and other countries. IOS is a trademark or registered trademark of Cisco in the U.S. and other countries and is used under license.

Apple, Apple Find My, Apple Watch, Find My, iPhone, iPad, iPadOS, Mac, macOS and watchOS are the trademarks of Apple Inc., registered in the U.S. and other countries. The trademark "iPhone" is used with a license from Apple Inc.

THANK YOU!